

UDLM2-25/35 STACK ESSENTIAL TUMBLE DRYERS



M PROGRAMMER

New M programmer: push buttons to control temperature and time



OUTSTANDING FEATURES

Reversing drum action as standard
Frequency inverter as standard
Galvanized drum as standard



EFFICIENCY

DUAL AIRFLOW - mixed axial-radial airflow
Extra Large Steel Lint Filter



VERSATILITY

Make to order - customization
OPL > VENDED
Standard OPL model easily transformable to coin laundry and viceversa



ERGONOMICS

Accessible Lint Drawer filter, made of stainless steel
Largest door diameters



MAINTENANCE

Hinged panel: easy and ergonomic access
Technical menu: statistics, alarm, autotest, data recovery for technicians and maintenance



OTHERS

Transmission by direct drive
COOL DOWN - anti-wrinkle at the end of the cycle
CE and ETL approved
Heating options: electric, gas

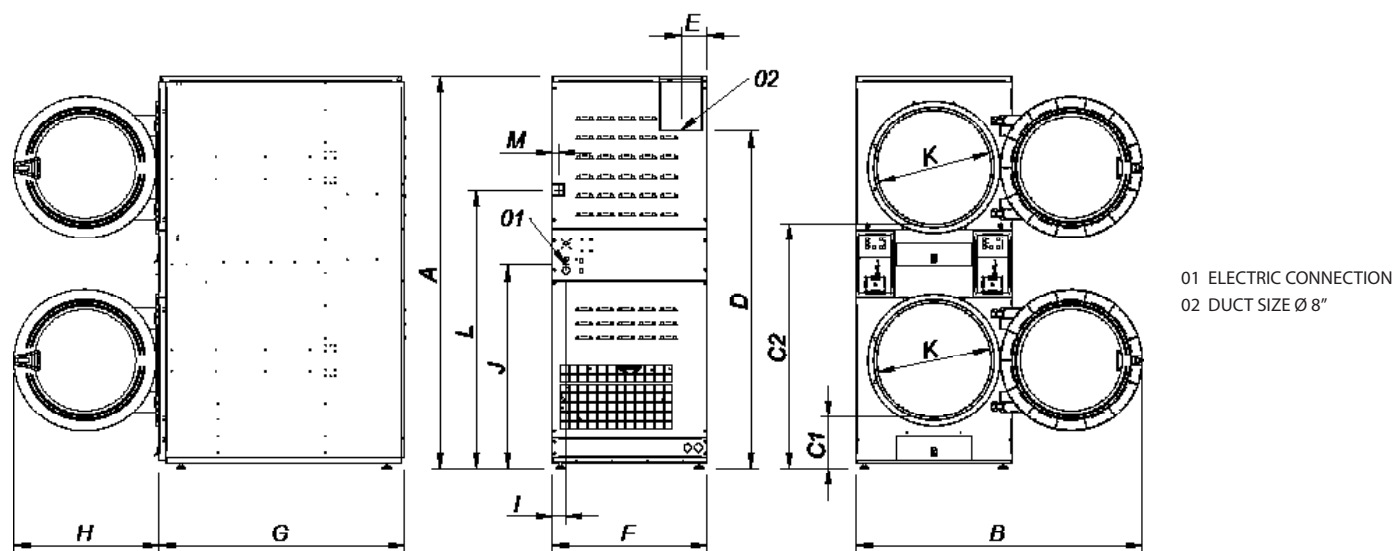


OPTIONS

- M Control programming console
- Rear panel external air + filter
- Wooden packing
- Exhaust silencer Ø 8"
- Ship voltage for electric models: 440V III 50/60 Hz No neutral

TECHNICAL DATA	UNIT.	UDLM2 - 25	UDLM2 - 35	UDLM2- 35 G TURBO		
CAPACITY						
Capacity 1/18	lb	50	80	80		
Capacity 1/20	lb	48	75	75		
Hourly Output*	lb/h	79	116	167		
Evaporation capacity*	l/h	16,5	18,6	38		
DRUM						
Ø Drum	in	29.50	29.50	29.50		
Ø Door	in	22.50	22.50	22.50		
Door center height	in	21.50 / 60	21.50 / 60	21.50 / 60		
Load hole bottom height	in	10.25 / 49	10.25 / 49	10.25 / 49		
Drum length	in	18.75	29.25	29.25		
Drum volume	?	55	87	87		
POWER						
Drum motor power	HP	1 x 2	1 x 2	1 x 2		
Fan motor power	HP	.33 x 2	.33 x 2	.75		
Electric heating power	Kw	12 x 2	12 x 2	-		
Total electric power (elec.model)	Kw	25,34	25,34	-		
Gas heating power	BTU	41,000 x 2	41,000 x 2	82,000 x 2		
Total electric power (gas model)	Kw	1,34	1,34	1,94		
CONNECTIONS		ELECTRIC.	GAS	ELECTRIC.	GAS	GAS
Tension 120V - I / 230V - I + N + T	Nº x mm2 / A	-	3 x 1,5 / 20A	-	3 x 1,5 / 20A	3 x 1,5 / 20A
Tension 230V - III + T	Nº x mm2 / A	4 x 25 / 80A	3 x 1,5 / 20A	4 x 25 / 80A	3 x 1,5 / 20A	3 x 1,5 / 20A
Tension 400V - III + N + T	Nº x mm2 / A	5 x 10 / 40A	3 x 1,5 / 20A	5 x 10 / 40A	3 x 1,5 / 20A	3 x 1,5 / 20A
DIMENSIONS / PACKING DIMENSIONS						
Net width / Gross width	in	31 / 34	31 / 34	31 / 34	31 / 34	31 / 34
Net Depth / Gross Depth	in	38.25 / 41.50	49 / 52	-	-	-
Net Height / Gross Height	in	78 / 84	78 / 84	78 / 84	78 / 84	78 / 84
Net weight / Gross weight	lb	260/268	290/303	-	-	-
OTHERS						
Max airflow	CFU	589	589	589	883	883
Ø Duct Size	in	8	8	8	8x2	8x2
Sound level	dB	64	64	64	64	64

* It may vary depending on the type of heating, filter cleanliness or extraction type.



	A	B	C1	C2	D	E	F	G	H	I	J	K	L	M
UDLM2-25	78	67	10	48.50	63.75	5.25	31	38.25	29	64	40.50	22.50	55.25	1.50
UDLM2-35	78	67	10	48.50	63.75	5.25	31	49	29	64	40.50	22.50	55.25	1.50