

Compact Rotary Ironer for Excellent Results



Miele HM 16 – 80 at a glance

Free roller end

The free end of the roller is particularly useful for ironing awkward items such as skirts, blouses and shirts, as they can be fitted over the free end without having to be folded.

Steam ironing

The steam function enables you to achieve superb ironing results.

Perfect ironing technology

The 83 cm wide roller is ideal for the fast, smooth ironing of large items such as table cloths, napkins or bed linen.

Freely adjustable temperature

The temperature is freely adjustable to suit the fabric being ironed and is precisely monitored and maintained. The heater plate is made of anodized aluminium for excellent heat conductivity, while the three heater elements ensure an even distribution of heat for perfect ironing results.

Safe operation

Ironing with the Miele rotary ironer is particularly safe with the patented finger guard. At the slightest touch, the roller will stop and the heater plate will lift to ensure that you don't iron your fingers! There is also an emergency release button so that your laundry won't be trapped in the event of a power failure.

Easy to use controls

The controls are conveniently situated on the right hand side for easy operation. They include the roller speed control, temperature indicator light and On/Off button.

Laundry table

Finished work is automatically fed through onto the laundry table below the roller in soft folds to ensure that it remains crease-free.

Minimum storage space

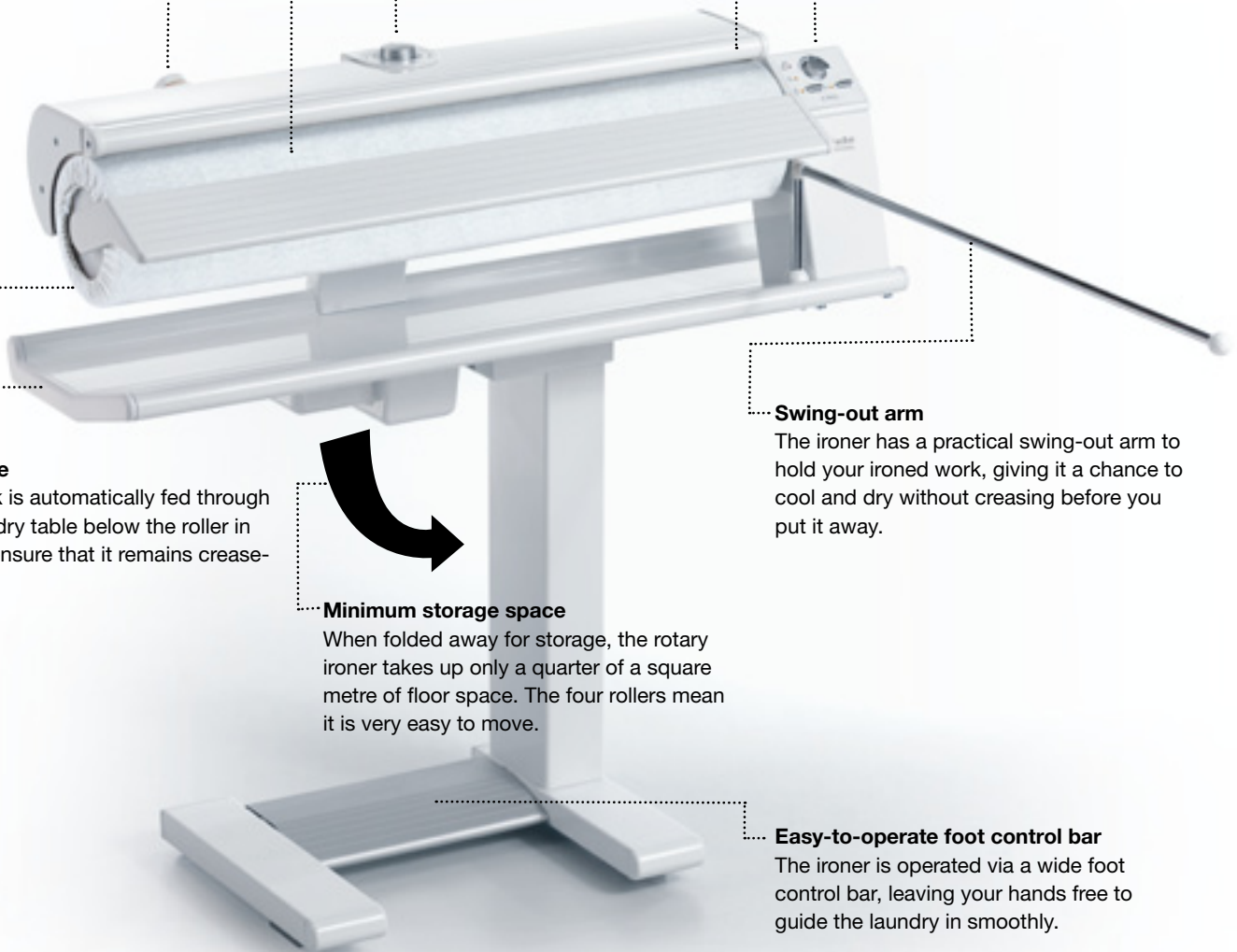
When folded away for storage, the rotary ironer takes up only a quarter of a square metre of floor space. The four rollers mean it is very easy to move.

Swing-out arm

The ironer has a practical swing-out arm to hold your ironed work, giving it a chance to cool and dry without creasing before you put it away.

Easy-to-operate foot control bar

The ironer is operated via a wide foot control bar, leaving your hands free to guide the laundry in smoothly.



Miele's HM16-80 is the ideal machine for guest houses, small hotels, bed & breakfasts, restaurants and nursing homes requiring a smaller amount of flatwork. Designed for a wide variety of linens like table cloths, napkins, pillowcases and sheets, the HM16-80 is the first choice for laundry operations requiring a lower throughput and where space is of prime consideration.

The HM16-80 has a built-in water reservoir and steam generator for superb ironing results.

**Exclusive
to Miele**

Design

- Freestanding, fold-down design requiring minimum floor space
- 83 cm / 33" roller width
- Open roller end on left side to iron larger items
- Durable polyester needle felt padding and cloth
- Aluminium heater plate for even heat distribution
- Fitted with wheels easy to move

Performance

- Throughput per hour: 13kg /28lbs

Controls

- Freely adjustable temperature controls the right temperature for the type of fabric being ironed
- 5 different roller speeds optimum finish optimum working speed
- Automatic foot control
- Adjustable steam volume

Ergonomics

- Seated or standing operation

Technical information	HM 16 - 80
Height	959mm / 37 3/4 "
Width	985mm / 38 3/4"
Depth	380mm / 14 15/16"
Height when folded	1052mm / 41 7/16"
Width when folded	500mm / 19 11/16"
Depth when folded	385mm / 15 3/16"
Heating	Electric
Electrical connection	2AC 220-240V 60Hz
Supplied with plug	NEMA 6-20P
Total rated load	3.2-3.8 kW
Fuse rating	20 A
Weight	39kg / 86lbs
Roller diameter	16cm / 6"
Roller speed	2 - 4.5 m/min, 6.5 - 14.7 ft/min
Roller length	83cm / 33"
Capacity per hour (DIN 11902)	13kg / 28lbs

Miele Centres

Miele Limited Canada Headquarters
Professional Division
161 Four Valley Drive
Vaughan, ON L4K 4V8
Tel: 1-888-325-3957
Fax: 1-800-803-3366
mieleprofessional.ca
professional@miele.ca

British Columbia
69 Smithe Street
Vancouver, BC V6B 1C3

Alberta
503 10th Avenue SW
Calgary, AB T2R 0A8

Quebec
3055 Jules-Brilliant Street
Laval, Quebec H7P 6B2

Forever Better

Since 1899, Miele - a family run company - has subscribed to a corporate philosophy condensed into the two words 'Forever better'. Two words which form the bedrock for the highest of quality and production standards and have given rise to the innovating prowess of a brand 'Made in Germany'. A brand promise which gives commercial users the certainty of having chosen the right product.

Award-winning

An unerring focus by Miele Professional on top quality and dependability is the reason why Miele has been repeatedly voted best and most reliable brand by users. In major consumer surveys, Miele's product brand also comes out top in the 'Fair production conditions' category.

Single-source supply

Miele Professional offers commercial users durable and long-lasting laundry machines, dishwashers, washer-disinfectors and sterilisers together with accessories and standards of service and pre-sales advice which are of a similar quality. And, if things should go wrong, Miele's after-sales service operation has been acclaimed for many years in succession for its excellence.



Harco[®]

Leaders in Laundry Systems

5610 McAdam Road, Mississauga, Ontario L4Z 1P1
905.890.1220 • 800.387.9503 • Fax: 905.890.7039
email: harco@harcoco.com • www.harcoco.com