



UV-MAX

ULTRA RUGGED UV-C PORTABLE DISINFECTION

FOCUS ON CONSISTENT DISINFECTION OF ALL SURFACES

FEATURES

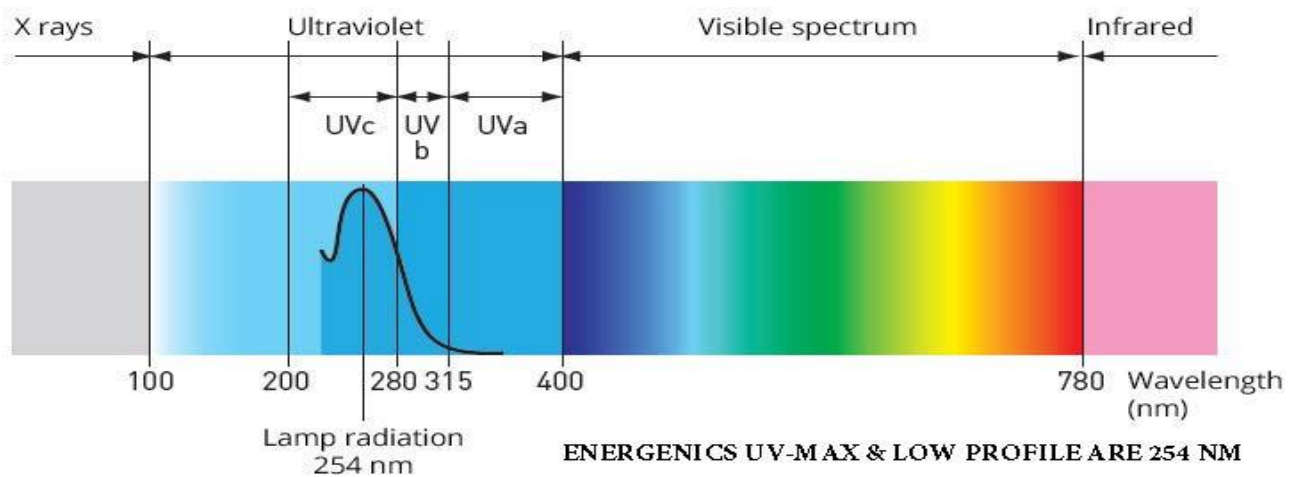


- COMMERCIAL, INDUSTRIAL, HOSPITAL BUILD QUALITY
- SHATTERPROOF BULBS
- REDUNDANT SAFETY FEATURES
- FULLY PORTABLE
- ASSEMBLED AND TESTED
- COMMON 120/60/1 VOLTAGE. OTHER VOLTAGES AVAILABLE
- 320 WATTS UV-C OUTPUT



HOW DOES UV-C LIGHT KILL

Ultraviolet germicidal irradiation (UVGI) is a disinfection method that uses short-wavelength **ultraviolet (ultraviolet C or UVC) light to kill** or inactivate **microorganisms** by destroying and disrupting their DNA leaving them unable to perform vital cellular functions. **UV light** requires the use of germicidal wavelengths of 185-254 nanometers (nm).



EXAMPLES OF DIFFERENT APPLICATIONS

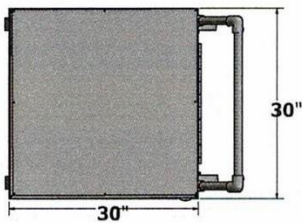
*Linen Transport Vehicles
 *Surgical Pack Rooms
 *Long Term Care Centers
 *Offices & Work Areas
 *Hospital Patient Rooms

*Ambulances
 *Soiled Sortation
 *Call Centers
 *Locker Rooms
 *Medical Offices

*Surgical Centers
 *Nursing Homes
 *Fitness Centers
 *Classrooms
 *Firehouses

FEATURES FOCUS ON SAFETY AND DURABILITY MANUFACTURED WITH INDUSTRIAL MATERIALS

- ANTI-MICROBIAL POWDERCOATED HEAVY DUTY METAL BASE
- 6" COMMERCIAL QUIET RUBBER CASTERS/WHEELS
- IP-56 SPLASH PROOF COOLING FILTERS/FANS
- HEAVY DUTY CUSHIONED BUMBERS PROTECTS AGAINST IMPACTS
- TOTAL CORNER PROTECTION PROTECTS UV-C BULBS
- SHATTERPROOF QUARTZ BULBS PROTECT WORKERS FROM BREAKAGE
- MOTION DETECTION PREVENTS UNSAFE OPERATION

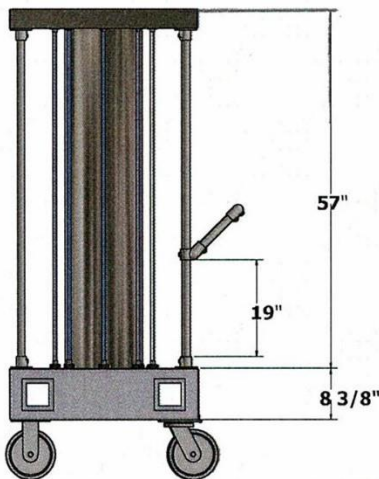


TOP VIEW UV-MAX AND
 UV-MAX LOW PROFILE

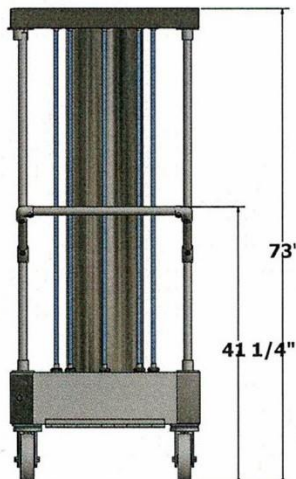
UV-MAX AND UV-MAX LO PROFILE DIMENSION, WEIGHTS & UTILITY REQUIREMENTS

VOLTAGE 120/60/1 8 AMPS

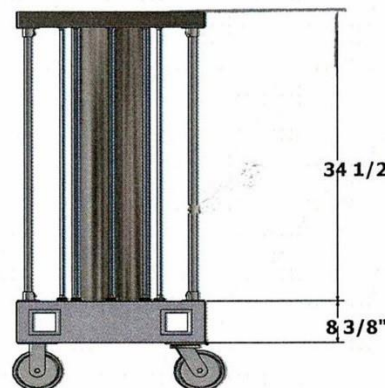
Operating Weight: UV-MAX 200 lbs UV-MAX LO PRO 120 lbs
 Shipping Weight: UV-MAX 535 lbs UV-MAX LO PRO 405 lbs



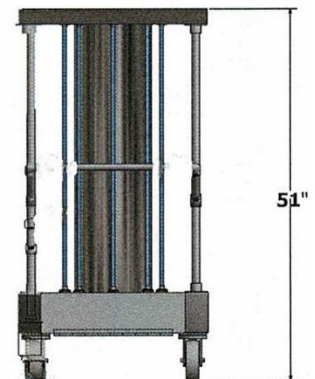
SIDE VIEW UV-MAX



REAR VIEW UV-MAX



SIDE VIEW UV-MAX
 LOW PROFILE



REAR VIEW UV-MAX
 LOW PROFILE



1470 Don St.
 Naples, FL 34104
 Tel. 239-643-1711
 Fax 239-643-6071
 Customer Service 800-944-1711
www.energenics.com



5610 McAdam Road, Mississauga, Ontario L4Z 1P1
 905.890.1220 • 800.387.9503 • Fax: 905.890.7039
 email: harcoco@harcoco.com • www.harcoco.com