

MDG50/75PN

MAYTAG® COMMERCIAL ON-PREMISES DRYING TUMBLERS



LEGENDARY MAYTAG DEPENDABILITY

Maximizing your equipment investment for over a half century.

KEEP YOUR OPERATION SAFE

The Sensor-Activated Fire Extinguishing System (S.A.F.E.) is a unique, controlled extinguisher that automatically detects a fire in the dryer, douses it with water and alerts you that the system has been activated.



MICROPROCESSOR CONTROLS

Easy-to-use advanced computer controls let you program drying cycles with desired drying times, temperatures and cool-down.

FOR YOUR OPERATION:

- High BTU, Fast Dry Times
- Microprocessor Controls
- S.A.F.E. Fire Suppression System
- Reversing Tumble Feature on 75-Pound Size Reduces Tangling
- Radial Airflow
- Extra-Large Door Opening
- Available in 50- and 75-Pound Capacities

BUILT-TO-LAST™ FEATURES:

- Sealed Bearings Never Need Lubrication
- Heavy-Duty Motor
- 3-Year Limited Warranty—All Parts Covered



Model MDG75PN

Model MDG50PN



Visit maytagcommerciallaundry.com or call 800-662-3587



MDG50/75PN

MAYTAG® COMMERCIAL
ON-PREMISES
DRYING TUMBLERS

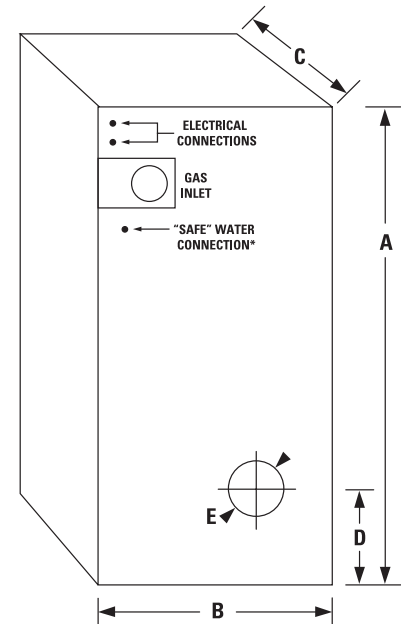
MAYTAG® COMMERCIAL ON-PREMISES DRYING TUMBLERS

MICROPROCESSOR CONTROL

Available in 50- and 75-Pound Capacities

DRYER SPECIFICATIONS		
MODELS	MDG50PN	MDG75PN
CAPACITY		
Lbs. (kg)	50 (22.7)	75 (34)
Cu. ft. (cu. m)	18.3 (.518)	22.4 (.634)
TUMBLER		
Diameter—in. (mm)	32.75 (832)	37 (940)
Depth—in. (mm)	37.50 (953)	36 (914)
MOTOR		
HP (kw)	.75 (.56)	1 (.75)
Reversing tumble		▪
AIRFLOW		
Cfm (cmm)	750 (21.2)	1,000 (28.3)
HEAT INPUT		
BTU/hr. (kcal/hr.)	150,000 (37,800)	175,000 (44,100)
GAS INLET		
In. (mm) size—amps	.50 (12.7)	.75 (19.05)
ELECTRICAL REQUIREMENTS		
Volts (Hz)/phase		
Domestic model	120 (60) /1	208–240 (60)/3
Export models	208–440 (50–60)/1 or 3	208–440 (50–60)/1 or 3
Breaker fuse size	20	15
COLOR		
White	▪	▪
APPROXIMATE WEIGHT		
Crated—lbs. (kg)	700 (317.5)	771 (349.7)
Uncrated—lbs. (kg)	651 (295.3)	721 (327)
DIMENSIONS		
A) Height—in. (mm)	72 (1,829)	75.13 (1,908)
B) Width—in. (mm)	34.25 (870)	38.25 (971.5)
C) Depth including door handle—in. (mm)	49.63 (1,260)	48 (1,219)
D) Floor to center of exhaust—in. (mm)	10.5 (267)	18.25 (464)
E) Exhaust diameter—in. (mm)	8 (203)*	8 (203)*
Door opening diameter—in. (mm)	21.5 (546)	31.38 (797)

*Required 8" (203 mm) material if venting horizontally; 10" (254 mm) if venting vertically.
An 8"-10" (203–254 mm) transition must be used. See specific instructions for proper installation. Because of continuous product improvement, Maytag reserves the right to change the specifications without notice.



*S.A.F.E. water pressure requires 40 psi ± 20 psi.



MAYTAG® LIMITED WARRANTY

3 YEARS—ALL PARTS

For a period from the date of original purchase through the time listed above, the designated parts that fail in normal commercial use will be repaired or replaced free of charge for the part itself, with the owner paying all other costs, including labor, transportation and customs duty. Chemical damage is excluded from all warranty coverage. See complete warranty for details.



5610 McAdam Road, Mississauga, Ontario L4Z 1P1
905.890.1220 • 800.387.9503 • Fax: 905.890.7039
email: harco@harcoco.com • www.harcoco.com

OUR COMMITMENT TO DEPENDABLE QUALITY

At Maytag brand, we believe durable goods should remain just that. That's why every Maytag® product is constructed of the highest-quality materials and with the utmost in precision craftsmanship. It's also why we stand behind our equipment with solid service and support from our professional Maytag laundry suppliers. Simply put, when you choose Maytag® products, you ensure your peace of mind.