

# HIGH-EFFICIENCY COMMERCIAL WASHER

# Speed Queen®

Canadian Model Only  
For Sale in Canada Only

## Coin-Equipped, Featuring Mechanical Controls



### DEEP-WATER WASH SYSTEM

The wash system is optimized with deep-water wash and rinse cycles and vigorous cleaning action.

### TRADITIONAL AGITATOR

The agitator uses four unique patterns to deliver traditional top-load wash performance through exceptional rollover, for even very large loads.

### COMMERCIAL-GRADE MOTOR

The 1/2-HP motor alternates between short and long strokes to deliver quality cleaning performance for loads of all sizes.

### FULL WRAP CONSOLE

The full-wrap metal console is easy-to-clean and protects internal components from unexpected liquid spills or vapor.

### GALVANIZED, HEAVY-GAUGE CABINET

Built from commercial-grade, heavy-gauge metal, the galvanized cabinet stands up to traffic in busy commercial laundry environments.

## QCAE2735FQ—27" High-Efficiency Commercial Washer

- 2.9-Cu.-Ft. Wash Basket
- Cycle Indicator LEDs
- Extra-Large Lid and Tub Opening
- 1/2-HP Motor
- Premium Porcelain Enamel Top and Lid
- 6' Inlet Hose and 4' Drain Hose Included
- 3-Year Limited Parts Only Warranty\*

# HIGH-EFFICIENCY COMMERCIAL WASHER

# Speed Queen®

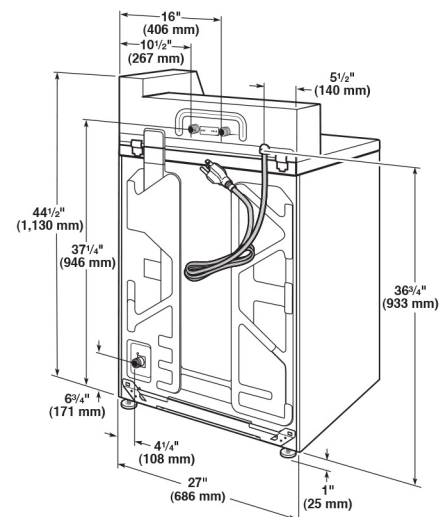
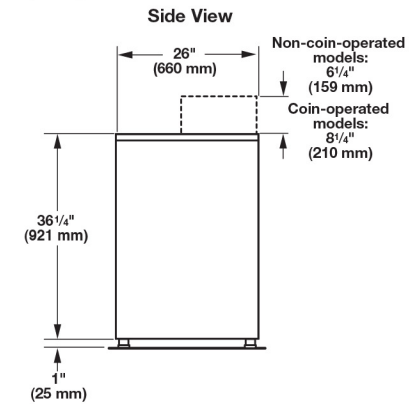
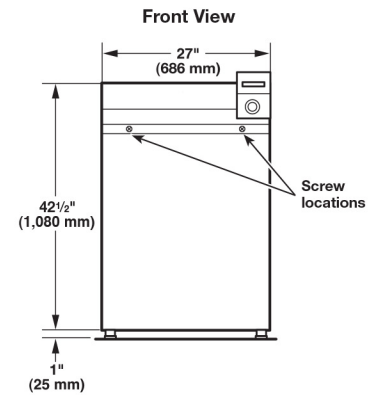
Canadian Model Only  
For Sale in Canada Only

## Coin-Equipped, Featuring Mechanical Controls

WASHER SPECIFICATIONS	
<b>MODEL</b>	<b>QCAE2735FQ</b>
<b>MOTOR SIZE—HP (KW)</b>	1/2 (.37)
<b>APPROXIMATE WATER USAGE—GALLONS (LITERS)</b>	
Average total water usage per cycle	24.65 (93.3)
Average hot water usage warm water cycle	0.53 (2)
Average hot water usage hot water cycle	6.51 (24.6)
<b>EXTRACT SPEED—MAX G-FORCE/MAX RPM</b>	144/700
<b>CAPACITY</b>	
Cylinder volume—cu. ft. (liters)	2.9 (82)
Cylinder diameter—in. (mm)	20.8 (528)
Cylinder depth—in. (mm)	23.8 (605)
<b>DIMENSIONS</b>	
Width—in. (mm)	27 (686)
Depth—in. (mm)	26 (660)
Height—in. (mm)	44 1/2 (1,130)
Lid opening—in. (mm)	17 (432)
<b>CRATED DIMENSIONS</b>	
Width—in. (mm)	29 (737)
Depth—in. (mm)	27.5 (699)
Height—in. (mm)	49 (1,255)
<b>APPROXIMATE WEIGHT</b>	
Uncrated—lbs. (kg)	158 (71.7)
Crated—lbs. (kg)	176 (81.2)
<b>ELECTRICAL REQUIREMENTS</b>	
Electrical rating—voltage/HZ	120/60
Breaker/Fuse—amps	10
<b>WATER INLET/HOSE</b>	
Operating pressure PSI (bar)	20-100 (1-8)
Inlet hose length—ft. (m)	6 (1.8)
Drain hose length—ft. (m)	4 (1.3)
<b>WARRANTY</b>	<b>3-Year Limited</b>

Dimensions are for planning purposes only. See specific instructions for proper installation. Because of continuous product improvement, Maytag reserves the right to change specifications without notice.

Dimensions are for planning purposes only. For complete information, see installation instructions packed with product.



5610 McAdam Road, Mississauga, ON L4Z 1P1  
1-800-387-9503 • 905-890-1220 • Fax: 905-890-7039  
email: harco@harcoco.com • www.harcoco.com



## Speed Queen® 3-YEAR LIMITED PARTS ONLY WARRANTY

For a period of three years from the date of original purchase, the designated parts that fail in normal commercial use will be repaired or replaced free of charge for the part itself, with the owner paying all other costs, including labor, transportation and customs duty. Chemical damage is excluded from all warranty coverage. See complete warranty for details.