

UDLM-25/35/50 ESSENTIAL TUMBLE DRYERS



M PROGRAMMER

New M programmer: push buttons to control temperature and time



OUTSTANDING FEATURES

Reversing drum action as standard
 Frequency inverter as standard
 Galvanized drum as standard



EFFICIENCY

FULL FLOW - New 'optimized' system of airflow
 Extra Large Steel Lint Filter



VERSATILITY

Make to order - customization
 OPL > VENDED - Standard OPL model easily transformable to coin laundry and viceversa



ERGONOMICS

Drawer as fluff filter, made of stainless steel
 Biggest door diameters
 Opening sense of door adjustable on site



MAINTENANCE

Hinged Front Panel: easy and ergonomic access
 Technical menu: statistics, alarm, autotest, data recovery for technicians and maintenance with M console



OTHERS

White painted panels
 Transmission by direct drive
 COOL DOWN - anti-wrinkle at the end of the cycle
 Heating options: electric, gas and steam
 CE and ETL approved

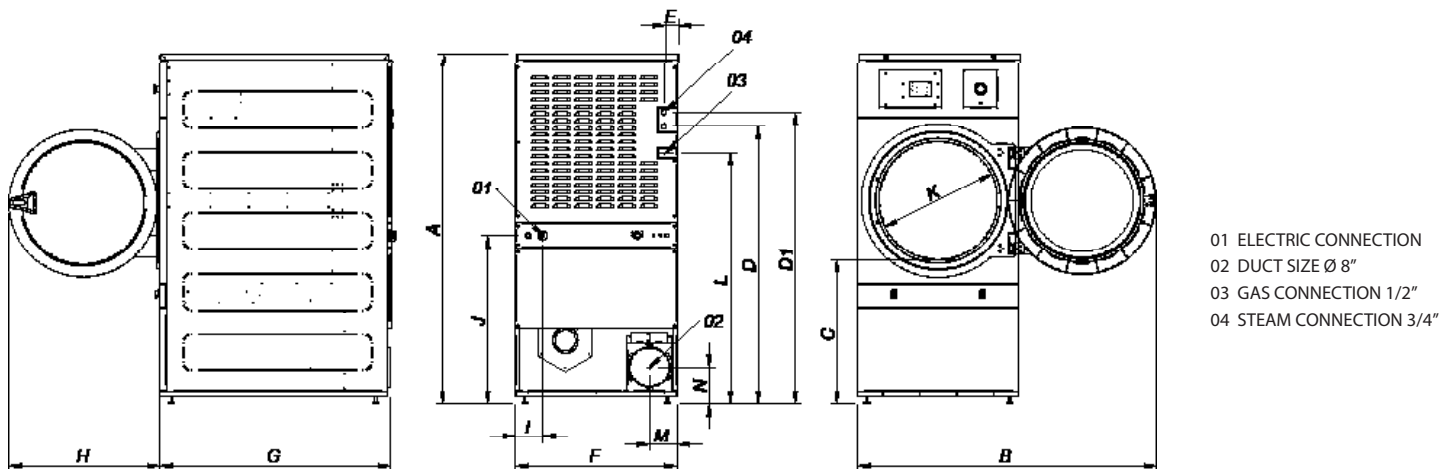


OPTIONS

- M Control programming console
- New M Control with display
- Wooden packing
- Exhaust Ø 8"
- Ship voltage for electric models: 440V III 50/60 Hz No neutral

| TECHNICAL DATA | UNIT. | UDLM-25 ESSENTIAL | UDLM-35 ESSENTIAL | UDLM-50 ESSENTIAL | | | |
|--|--------------|-------------------|--------------------|-------------------|--------------------|-------------------|--------------------|
| CAPACITY | | | | | | | |
| Capacity 1/18 | lb | 26 | 40 | 60 | | | |
| Capacity 1/20 | lb | 25 | 35 | 50 | | | |
| Hourly Output* | lb/h | 62/ 6 | 68 / 9 | 88 / 6 | | | |
| Evaporation Capacity* | l/h | 14,5 | 16,3 | 20,4 | | | |
| DRUM | | | | | | | |
| Ø Drum | in | 29.50 | 29.50 | 33 | | | |
| Ø Door | in | 22.50 | 22.50 | 22.50 | | | |
| Door Center Height | in | 38.50 | 38.50 | 40.50 | | | |
| Door Bottom Height | in | 27 | 27 | 29.25 | | | |
| Drum Depth | in | 18.70 | 29.30 | 31.50 | | | |
| Drum Volume | CuFt | 7 | 12 | 17 | | | |
| POWER | | | | | | | |
| Drum motor power | HP | 1 | 1 | 1 | | | |
| Fan motor power | HP | 0.33 | 0.33 | 0,75 | | | |
| Electric heating power | kw | 16 | 24 | 32 | | | |
| Total electric power (elec.model) | kw | 16.99 | 25.03 | 33.48 | | | |
| Gas heating power | BTU | 70,000 | 70,000 | 105,000 | | | |
| Total electric power (gas model) | kw | 0.89 | 0.89 | 1.3 | | | |
| Steam heating power | kw | 40 | 40 | 66 | | | |
| Steam heating power (gas model) | kw | 0.89 | 0,89 | 1.3 | | | |
| CONNECTIONS | | ELECTRICAL | STEAM / GAS | ELECTRICAL | STEAM / GAS | ELECTRICAL | STEAM / GAS |
| Tension 120V - 230V - I + N + T | N° x mm2 / A | 3 x 35 / 63A | 3 x 1,5 / 20A | - | 3 x 1,5 / 20A | - | 3 x 1,5 / 20A |
| Tension 230V - III + T | N° x mm2 / A | 4 x 10 / 40A | 3 x 1,5 / 20A | 4 x 16 / 63A | 3 x 1,5 / 20A | 4 x 25 / 80A | 3 x 1,5 / 20A |
| Tension 400V - III + N + T | N° x mm2 / A | 5 x 4 / 25A | 3 x 1,5 / 20A | 5 x 10 / 32A | 3 x 1,5 / 20A | 5 x 10 / 40A | 3 x 1,5 / 20A |
| Ø Gas inlet | BSP | | 1/2" | | 1/2" | | 1/2" |
| Ø Steam inlet | BSP | | 3/4" | | 3/4" | | 1" |
| Ø Condensed (Steam models) | BSP | | 3/4" | | 3/4" | | 1" |
| DIMENSIONS / PACKING DIMENSIONS | | | | | | | |
| Net Width / Gross Width | in | 31 / 34 | | 31 / 34 | | 35 / 38 | |
| Net Depth / Gross Depth | in | 33 / 37 | | 44 / 48 | | 49 / 53 | |
| Net Height / Gross Height | in | 67 / 73 | | 67 / 73 | | 71 / 76 | |
| Height without heating battery | in | - | | - | | - | |
| Net weight / Gross weight | lb | 379 / 396 | | 412 / 440 | | 462 / 485 | |
| OTHERS | | | | | | | |
| Max airflow | CFM | 500 | | 500 | | 706 | |
| Ø Duct Size | in | 8 | | 8 | | 8 | |
| Sound level | dB | 64 | | 64 | | 65 | |

* It may vary depending on the type of heating, filter cleanliness or extraction type.



| | A | B | C | D | D1 | E | F | G | H | I | J | K | L | M | N |
|-------------------|----|----|-------|-------|-------|------|----|-------|----|------|----|----|-------|------|---|
| UDLM-25 ESSENTIAL | 67 | 57 | 27 | 54 | 56 | 3 | 31 | 34 | 29 | 3.75 | 33 | 23 | 48.25 | 5.25 | 7 |
| UDLM-35 ESSENTIAL | 67 | 57 | 27 | 54 | 56 | 3 | 31 | 44.25 | 29 | 3.75 | 33 | 23 | 48.25 | 5.25 | 7 |
| UDLM-50 ESSENTIAL | 71 | 61 | 29.25 | 56.25 | 60.25 | 4.50 | 35 | 49.50 | 29 | 8 | 34 | 23 | 53 | 5.25 | 7 |