

WALL HUGGER

WALL MOUNTED AUTOMATIC LINT FILTER COLLECTOR

- * Automatic - reduces labor expense
- * Meets EPA Clean Air Standards
- * 98% of lint filtered and collected
- * Reduces laundry room fire hazard
- * Improves dryer performance
- * Lower operating costs
- * Prevents lint exhaust from damaging air conditioning and heating equipment
- * Cleaner, safer laundry room
- * Simple installation
- * Automatic Fire Detection System Option



FEATURES AND BENEFITS

FEATURE

Fine mesh filter screen

Central lint collection outside the dryer

Automatic lint collection

Designed with optimum materials

BENEFIT

Meets EPA standards for particle emission to the air. 98% reduction in lint exhausted out of the unfiltered facility. Reduced fire hazard in the laundry room.

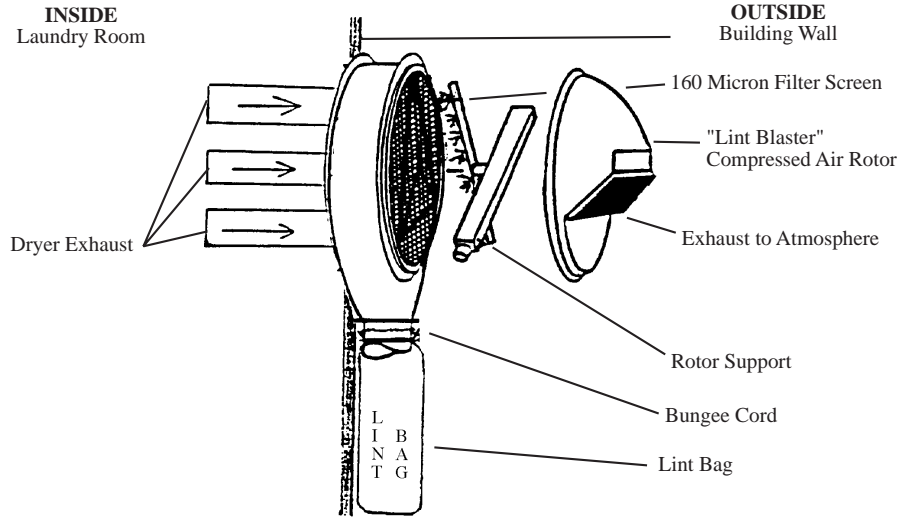
Improves dryer efficiency through improved air flow in the dryer. Cleaner, safer laundry room.

Saves time and money with internal dryer lint screens removed.

Noncorrosive fiberglass and aluminum insure long maintenance free life. "Black Fiberglass" interior surface prevents lint from building up inside the filter.

RESULT: COST SAVINGS THROUGH LONG LASTING MAINTENANCE FREE DESIGN.

OPERATING PRINCIPLES

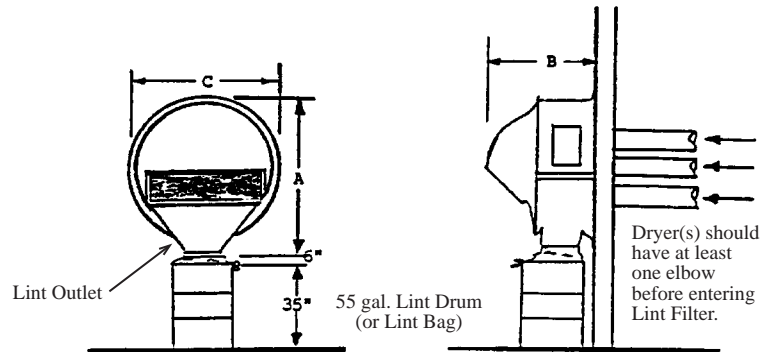


1. Lint is exhausted from the dryer(s) through the wall and collects on the screen.
2. At pre-set back pressure, determined by dryer exhaust CFM, compressed air is released. The compressed air activates the rotor and automatically "blasts" the lint off the screen.
3. Lint drops by gravity into the lint bag.

INSTALLATION & DIMENSIONS

- Benefits:**
- * Easily retrofitted to existing site with no extra sheet metal required.
 - * Mounts flush with the side of the building.
 - * Filters supplied painted to match the exterior wall color scheme.

	#35	#60	#80	#140
CFM Capacity	3,500	6,000	8,000	14,000
A Height	55"	76"	90"	102.5"
B Depth	34"	41"	43"	46.5"
C Width	48"	66"	77"	88"
Weight (lbs)	75	160	210	300



SPECIFICATIONS

- * The filter will be constructed of fiberglass with non-stick "black fiberglass" interior surface.
- * Frame material will be noncorrosive aluminum construction.
- * The filter screen will be 160 to 210 micron, cable reinforced polyester with at least 40% free area.
- * Controls will have U.L. approved transformer and operate at 24V. Automatic "blow-down" will be set to operate as required, controlled by dryer back pressure.
- * Compressed air must be sufficient to maintain 80 psi for 6-8 seconds to operate the "Lint Blaster" rotor during "blow-down" to clean the screen.

Contact Energenics Corporation for the name of our closest authorized distributor.



www.energenics.com

1470 Don Street • Naples, Florida 34104-3366
 Telephone 941-643-1711
 Fax 941-643-6081
 Customer Service 800-944-1711

Sold and Serviced By:



5610 McAdam Road, Mississauga, Ontario L4Z 1P1
 905.890.1220 • 800.387.9503 • Fax: 905.890.7039
 email: harco@harcoco.com • www.harcoco.com