

DHU-25 / DHU-30 / DHU-40 TOUCH II HIGH SPIN | SOFT-MOUNT | WASHER EXTRACTOR



TOUCH II

User friendly and totally programmable control.
7" color touch screen.
Create an infinite number of programs (29 pre-set and time-of-day promotions).
Import and export programs, statistics, and software updates via USB.
8 programmable signals for automatic liquid dosing.
Play videos.
37 available languages.
Wet Cleaning ready.



G FACTOR

Up to **450G** (soft-mount, high spin washers)



EFFICIENCY

Intelligent consumption
Optimal loading
Water Recovery tanks ready: ECOTANK
Low water consumption



VERSATILITY

Make to order: customization
OPL < > COIN
Electric < > Hot water
Drain valve < > Pump
Wet cleaning features



CONNECTIVITY

Remote technical service
Management of laundries: OPL and COIN
Remote payment



ERGONOMICS

Biggest door diameters: Ø14" (DHU-25/30) - Ø18" (DHU-40)
Easy opening/closing system for door lock.



MAINTENANCE

Hinged panel: easy access to parts
Equivalent parts for all models.
Technical menu: traceability, error diagnosis.



OTHERS

Grey skinplate outer casing
3 standard water inlets.
Drum and tub in stainless steel AISI 304
Detergent dispenser with 4 compartments
Electronic control of imbalance with frequency control
LOADING AID feature: water and rotation control
ETL, CE, and WRAS certified product.



OPTIONS

- Stainless steel AISI 304 outer casing
- Stainless steel AISI 304 front panel
- Double drain
- External double drain 3" (recommended for DHU-25)
- Drain pump for models DHU-25 and DHU-30
- Normally closed valve
- Water RE-CYCLE system
- Leveling feet
- Auto Weight: automatic weighing sensor system.
- Kit with 6 extra dosing signals
- Printer
- DomusConnect communication kit.
- Silicone gasket for models DHU-25 and DHU-30
- Reversible door opening
- Steam kit to transform an E or HW heated machine into steam version
- Plinth to level all machines from top
- Plinth to align loading height (door base at 33.5")
- Maritime voltage for electric models: 440V III 50/60 Hz No neutral
- Coin/token kit
- Delayed door opening in case of power outage

TECHNICAL DATA

UNIT.

DHU - 25 TOUCH II

DHU - 30 TOUCH II

DHU - 40 TOUCH II

DRUM

Load capacity	lb	25	30	40
Volume	CU.FT	3.5	4.6	6
Diameter	in	20.9	24.40	27.55
Depth	in	16.73	16.92	18.50

GENERAL DATA

Wash speed / Spin speed	r.p.m.	50/ 1,231	50/ 1,138	47/ 1,071
G Force	-	450	450	450
Maximum force transmitted	kN	2.08 ±0.75	2.49 ±1.05	3.41 ±1.4
Dynamic force frequency	Hz	16.7	16.7	16
Noise level	dB	70	70	70
Self-service version	-	Yes	Yes	Yes
Double drain	-	No	Opt.	Opt.
Weighing system	-	Opt.	Opt.	Opt.

DOOR

Height door centre / Height door base	in	24.8/14.56	700 / 440	765 / 450
Diameter	in	14.68	14.68	18.11

POWER

Motor	Hp	1	2	2.9
Heating electric mod.	kW	6	9	12
Maximum electrical power	kW	6.25	9.4	12.75
Maximum steam - hot water power	kW	0.75	1.1	2.2

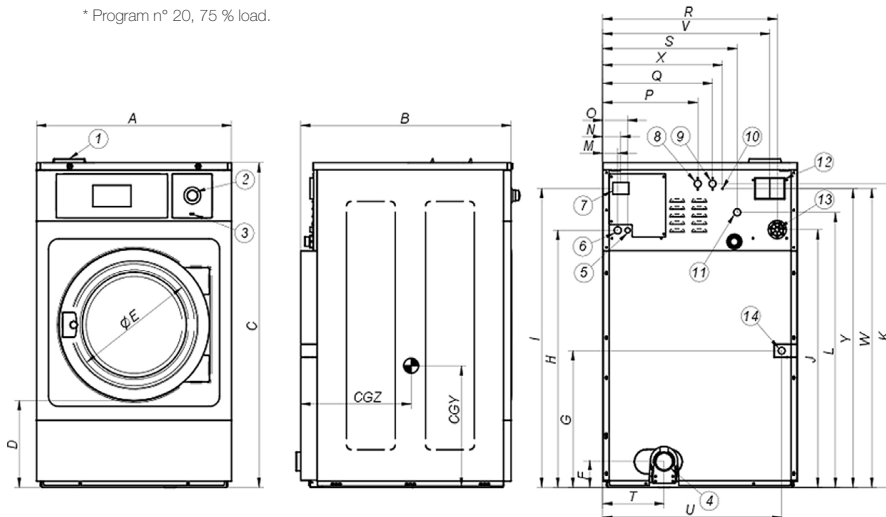
CONNECTIONS

		ELECTRIC	STEAM / HOT WATER	ELECTRIC	STEAM / HOT WATER	ELECTRIC	STEAM / HOT WATER
208-240V / 50-60 Hz / 1	FLA (Amp)	32	6	50	10	63	10
208-240V / 50-60 Hz / 3	FLA (Amp)	20	-	32	-	40	-
440V / 50-60 Hz / 3	FLA (Amp)	16	-	16	-	20	-
Steam input (Steam mod.)	inch		1/2"		1/2"		1/2"
Maximum steam consumption (Steam mod.)	lbs/h		15.5		18.8		26.5
Water inlet	inch		3/4"		3/4"		3/4"
Grid pressure	kg/cm ²		2-4		2-4		2-4
Maximum water consumption *	Gal/h		18.86		23.45		31.25
Drain	mm/inch		3"		3"		3"
Drainage capacity	gal/min		52.8		52.8		52.8

DIMENSIONS / DIMENSIONS WITH PACKAGING

Width / Width	in	27.24/28.74	31 / 32.67	34.80/ 36.61
Depth / Depth	in	31 / 39.37	34.21 / 39.76	36 / 40.55
Height / Height	in	46.65 / 55.78	51.46 / 61.42	55.70 / 66.93
Net weight / Gross weight	lb	507 / 526	551 / 623	794 / 867
Gross volume (with packaging)	ft3	36.37	46.26	57.56

* Program n° 20, 75 % load.



- ① Soap dispenser.
- ② Emergency stop.
- ③ USB port.
- ④ Drain.
- ⑤ Electrical connection to liquid soap pumps.
- ⑥ Electrical connection.
- ⑦ Main switch.
- ⑧ Auxiliary water inlet.
- ⑨ Hot water inlet.
- ⑩ Earth connection.
- ⑪ Cold water inlet.
- ⑫ Water overflow.
- ⑬ Connection for liquid soap.
- ⑭ Steam connection.

DIMENSIONS (in)	A	B	C	D	E	F	G	H	I	J	K	L	M	N	O	P	Q	R	S	T	U	V	W	X	Y	CGY	CGZ
DHU-25	27.24	31.02	46.65	14.57	14.69	4.92	13.94	35.94	42.72	36.06	43.31	38.78	2.40	2.91	3.98	12.44	14.61	24.02	17.64	8.90	24.65	22.83	42.52	18.15	45.08	16.69	22.72
DHU-30	31.02	34.21	51.46	17.32	14.69	9.57	15.16	40.71	47.32	40.83	48.07	43.54	2.40	2.91	3.98	15.16	17.52	27.80	21.42	9.57	28.27	26.61	47.32	19.09	47.28	17.72	25.63
DHU-40	34.80	35.94	55.71	17.72	18.11	3.74	14.96	44.69	51.30	44.80	52.05	47.52	2.40	2.91	3.98	16.89	20.04	31.57	25.20	13.70	32.05	30.39	51.30	22.40	51.06	18.27	27.64