

# MDG78PN

## MAYTAG® COMMERCIAL ENERGY ADVANTAGE™ ON-PREMISES DRYING TUMBLER



### LEGENDARY MAYTAG DEPENDABILITY

Maximizing your equipment investment for over a half-century.

### MICROPROCESSOR CONTROLS

Advanced computer controls let you program drying cycles with desired drying times, temperature and cool-down. Then select the cycle with the simple touch of a button.

### RESIDUAL MOISTURE CONTROL

Residual Moisture Control (RMC) sensing system measures the presence of moisture in the load. The dryer senses when the load is dry, shutting the unit down to help prevent over-drying.

### A COMPLETE LINE OF ENERGY-EFFICIENT SOLUTIONS

Maytag brand offers a complete line of high-efficiency commercial laundry appliances—from energy-efficient dryers to highly efficient ENERGY STAR®-qualified washers—to help you save money and build profits.

### CAPACITY:

- 75-Lb. Capacity

### FOR YOUR OPERATION:

- Fast-Drying 100% Axial Airflow System
- Extra-Large Door Opening For Ease Of Loading And Unloading
- Dual-Pane Glass Door To Keep Room Cool
- Multilingual Digital Display With Time Remaining
- Extra-Large Lint Drawer
- Reverse Tumbler Feature Reduces Twisting
- Front Serviceable
- Reversible Door

### BUILT-TO-LAST™ FEATURES:

- 120-Volt Single-Phase With Reversing Cylinder Standard
- Dual Fire Suppression Systems
  - Waterless System
  - Wet System
- Heavy-Duty Motor
- Four-Point Roller Support System
- 3-Year Limited Warranty—All Parts Covered



Visit [maytagcommerciallaundry.com](http://maytagcommerciallaundry.com) or call 800-662-3587

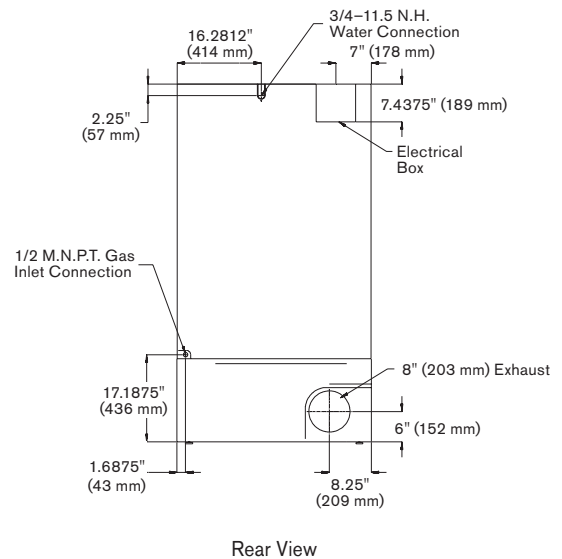
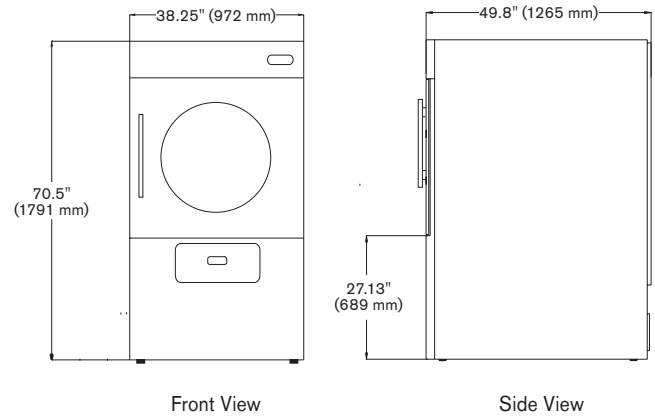


**MDG78PN**  
**MAYTAG® COMMERCIAL**  
**ENERGY ADVANTAGE™**  
**ON-PREMISES**  
**DRYING TUMBLER**

**MAYTAG® COMMERCIAL ENERGY ADVANTAGE™**  
**ON-PREMISES DRYING TUMBLER**  
**MICROPROCESSOR CONTROL**

DRYER SPECIFICATIONS	
<b>MODEL</b>	<b>MDG78PN</b>
<b>CAPACITY</b>	
Lbs. (kg)	75 (34)
Cu. ft. (liters)	22.1 (625)
<b>TUMBLER</b>	
Diameter—in. (mm)	37 (940)
Depth—in. (mm)	35.5 (902)
<b>MOTOR</b>	
HP (kw) tumbler/blower	.75 (.56)/.50 (.37)
<b>AIRFLOW</b>	
Cfm (cmm)	600 (17.00)
<b>HEAT INPUT</b>	
BTU/hr. (kcal/hr.)	130,000 (32,760)
<b>GAS INLET</b>	
M.N.P.T. in. (mm)	1 inlet, 0.50 (12.7)
<b>ELECTRICAL REQUIREMENTS</b>	
Volts (Hz)	120 (60)
Approximate amp draw	19.2
Breaker fuse size	25
Export models—options available	220–480V/50–60Hz/1PH or 3PH
<b>COLOR</b>	
White	Standard
Stainless Steel	Optional
<b>APPROXIMATE WEIGHT</b>	
Crated—lbs. (kg)	775 (352)
Uncrated—lbs. (kg)	745 (338)
<b>DIMENSIONS</b>	
Height—in. (mm)	70.5 (1,791)
Width—in. (mm)	38.25 (972)
Depth not including door handle—in. (mm)	49.8 (1,265)
Exhaust diameter—in. (mm)	8 (203)*
Door opening diameter—in. (mm)	27.38 (695)

\*Requires 8" (203 mm) material if venting horizontally; 10" (254 mm) if venting vertically.  
 See specific instructions for proper installation.  
 Because of continuous product improvement, Maytag reserves the right to change specifications without notice.



**MAYTAG® LIMITED WARRANTY**  
**3 YEARS—ALL PARTS**

For a period from the date of original purchase through the time listed above, the designated parts that fail in normal commercial use will be repaired or replaced free of charge for the part itself, with the owner paying all other costs, including labor, transportation and customs duty. Chemical damage is excluded from all warranty coverage. See complete warranty for details.



5610 McAdam Road, Mississauga, Ontario L4Z 1P1  
 905.890.1220 • 800.387.9503 • Fax: 905.890.7039  
 email: harco@harcoco.com • www.harcoco.com

**OUR COMMITMENT TO DEPENDABLE QUALITY**

At Maytag brand, we believe durable goods should remain just that. That's why every Maytag® product is constructed of the highest-quality materials and with the utmost in precision craftsmanship. It's also why we stand behind our equipment with solid service and support from our professional Maytag laundry suppliers. Simply put, when you choose Maytag® products, you ensure your peace of mind.