

The Hurricane Series Delivers Advanced Technology that is Simple to Use



The Hurricane Series is the perfect blend of Innovation, Technology and Craftsmanship. The small shirt button on the touch screen display allows an operator to easily process small/tapered shirts as quickly and efficiently as classic cut and big shirts; maximizing quality and production. The unique design of the PVP Pleat Vent Press presses the sleeve pleats and vent area while maintaining the integrity of a rounded cuff giving the appearance of a hand finished shirt.

Two Position Arms for processing shirts with various styles of shirt sleeves. Classic cut shirts are processed in the default setting which is 5" higher than the arms down position. By selecting the Arms Down button on the Touch Screen Display shirts with steep angle sleeves can be finished without compromising quality and production standards.



HS-2H Hurricane Double Buck with Optional Hood

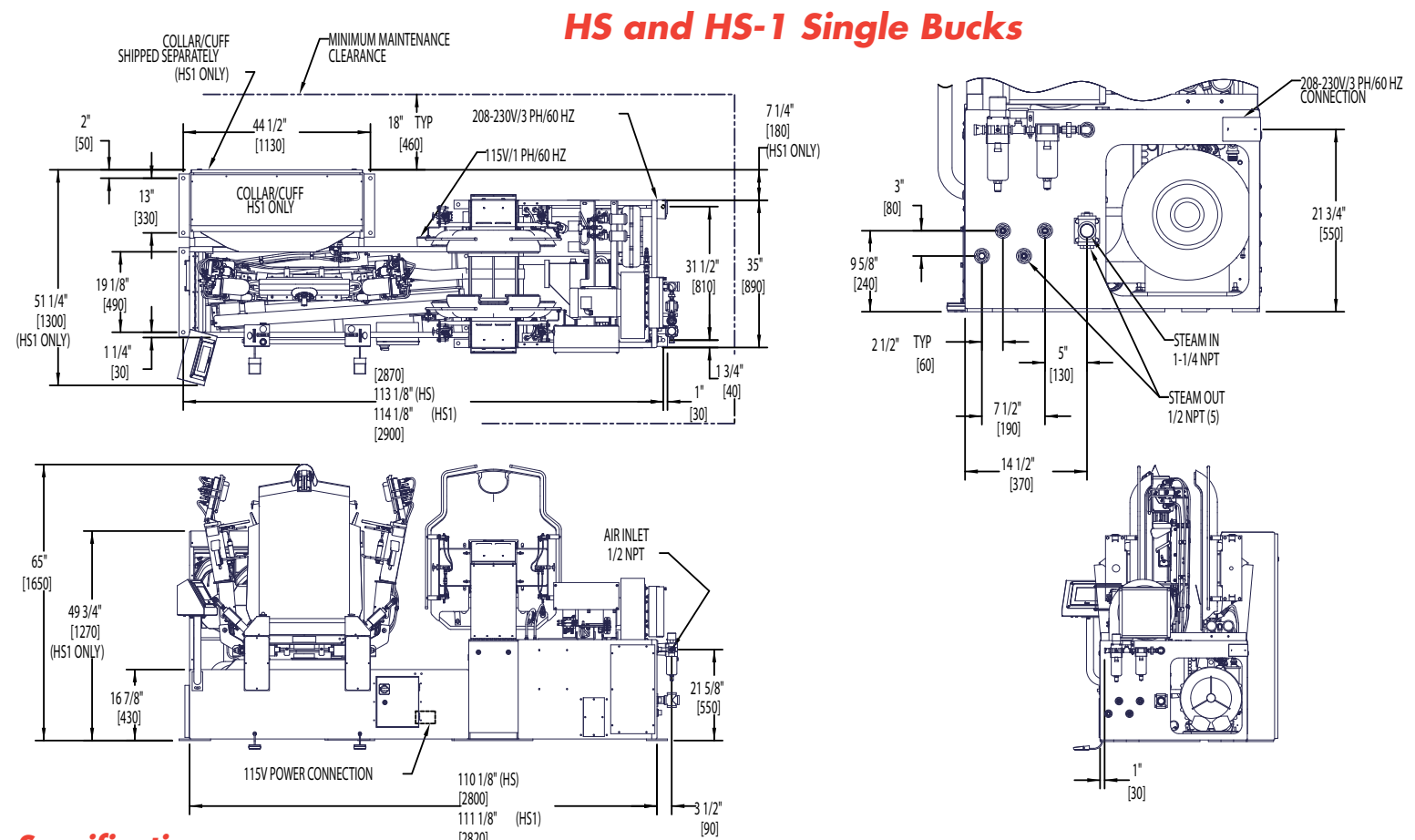
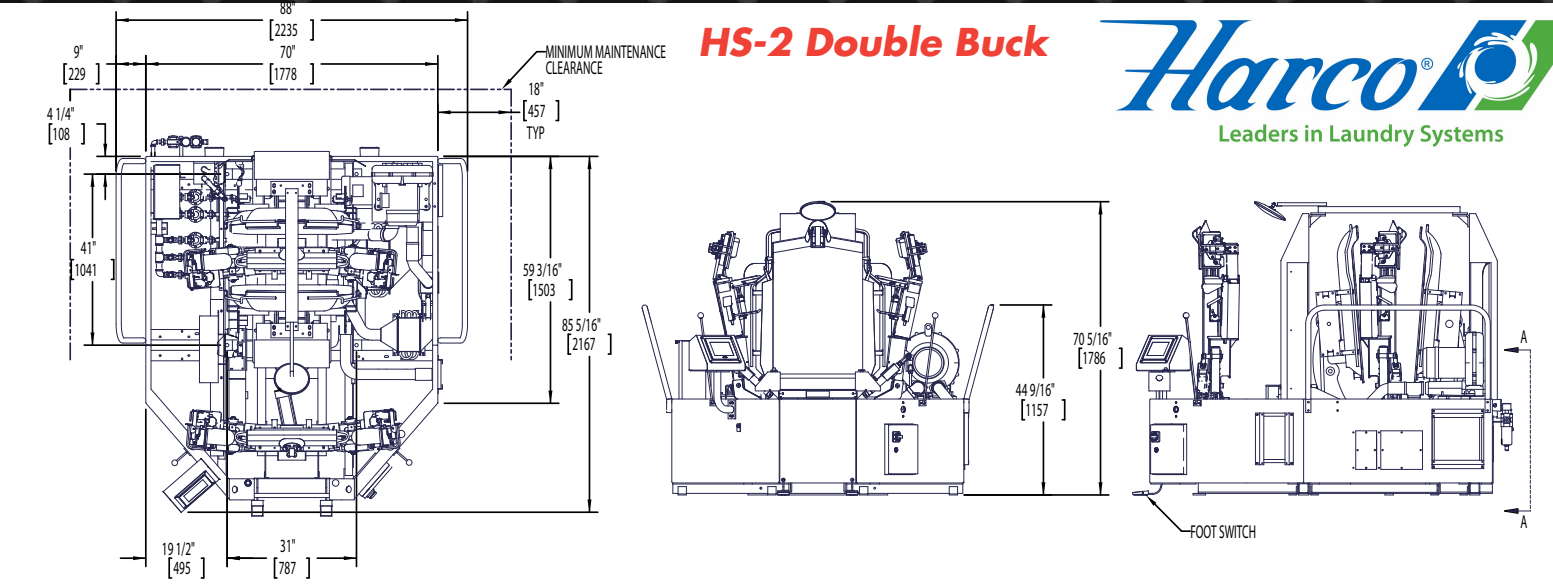


HS Hurricane Single Buck



HS-1 Hurricane All-In-One

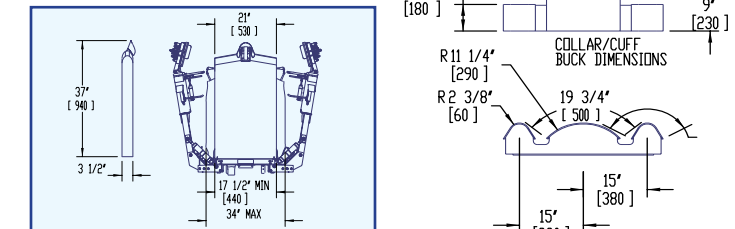
## Technical Data Hurricane



### Specifications

|                   | HS 2 SAE           | HS 2 Metric     | HS 1 SAE           | HS 1 Metric      | HS 2 SAE         | HS 2 Metric     |
|-------------------|--------------------|-----------------|--------------------|------------------|------------------|-----------------|
| Overall Height    | 65"                | 1650 mm         | 65"                | 1650 mm          | 70.31"           | 1790 mm         |
| Overall Length    | 115"               | 2920 mm         | 116"               | 2920 mm          | 85"              | 2172 mm         |
| Overall Width     | 35"                | 890 mm          | 42.5/16"           | 1080 mm          | 88"              | 2235 mm         |
| Steam Inlet       | 1-1/4" NPT         | 1-1/4" NPT      | 1-1/4" NPT         | 1-1/4" NPT       | 1-1/4" NPT       | 1-1/4" NPT      |
| Steam Outlet      | 1/2" NPT (S)       | 1/2" NPT (S)    | 1/2" NPT (S)       | 1/2" NPT (S)     | 1/2" NPT (S)     | 1/2" NPT (S)    |
| Steam Supply      | 100-125 psi        | 7-9 Bar         | 100-125 psi        | 7-9 Bar          | 100-125 psi      | 7-9 Bar         |
| Boiler Horsepower | 2.5 BHP            | 40 kg/hr        | 3.25 BHP           | 52 kg/hr         | 3.5 BHP          | 56 kg/hr        |
| Air Inlet         | 1/2" NPT           | 1/2" NPT        | 1/2" NPT           | 1/2" NPT         | 1/2" NPT         | 1/2" NPT        |
| Air Supply        | 85 PSI             | 6 Bar           | 85 PSI             | 6 Bar            | 85 PSI           | 6 Bar           |
| Electrical Press  | 3.5 Cubic Ft/Cycle | 79 liters/cycle | 4.5 Cubic Ft/Cycle | 102 liters/cycle | 6 Cubic Ft/Cycle | 68 liters/cycle |
| Electrical Press  | 115/1/60           | 240/1/50        | 115/1/60           | 240/1/50         | 208/230/3/60     | 380-415/3/50    |
| Amperage Press    | 1 AMP @ 115 v      | 4.6 kw          | 1 AMP @ 115 v      | 4.6 kw           | 1 AMP @ 115 v    | 4.6 kw          |
| Amperage Motors   | 15.4 AMP @ 230     | 1045 kw         | 15.4 AMP @ 230     | 1045 kw          | 15.4 AMP @ 230   | 1045 kw         |
| Net Weight        | 2500 lbs           | 1045 kg         | 3400 lbs           | 1455 kg          | 3,000 lbs        | 1360 kg         |

### Buck Dimensions



**Hurricane**  
Innovation  
in Pursuit of Perfection



3501 Queen Palm Drive, Tampa FL 33619

813.623.3731 [www.UnipressCorp.com](http://www.UnipressCorp.com)

**UNIPRESS**

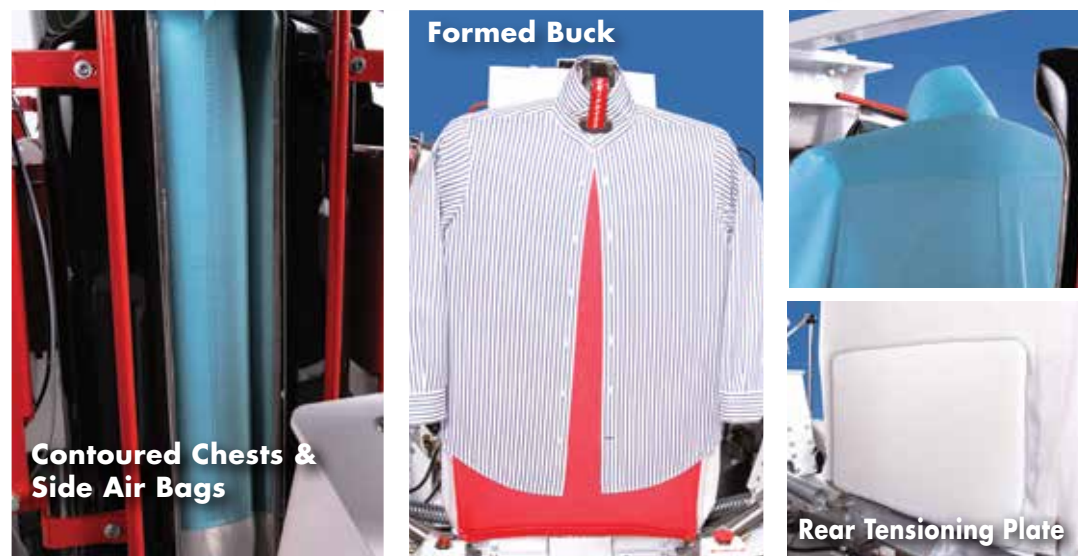
3501 Queen Palm Drive, Tampa FL 33619

813.623.3731 [UnipressCorp.com](http://UnipressCorp.com)

**UNIPRESS**

# Hurricane Series

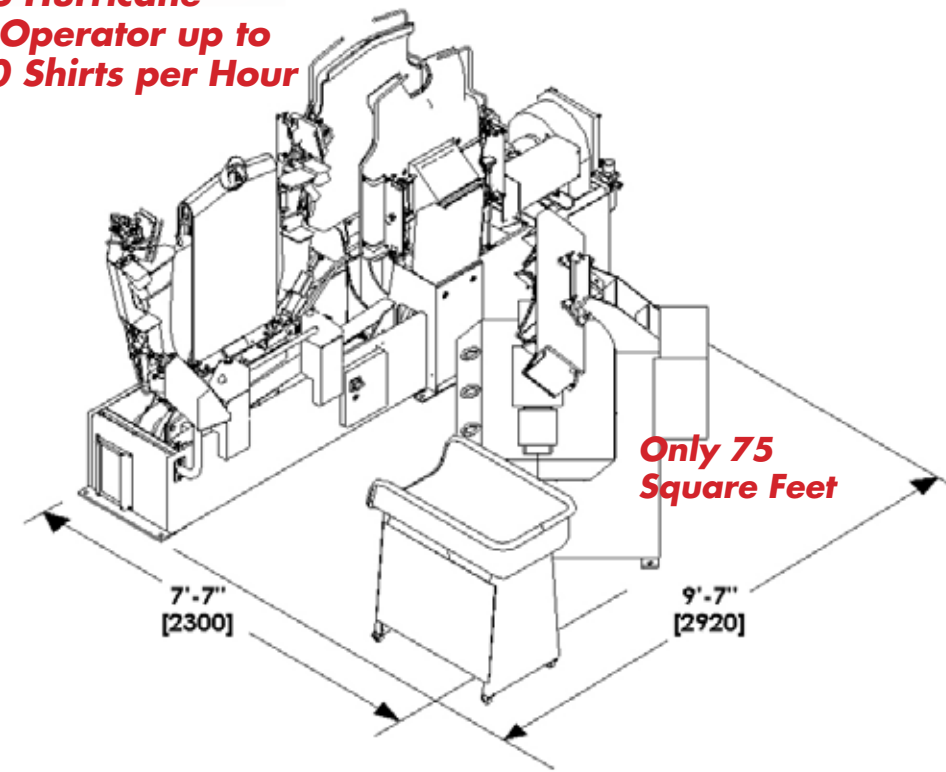
Shirt Units that Deliver – Superior Quality, Reliability & Durability



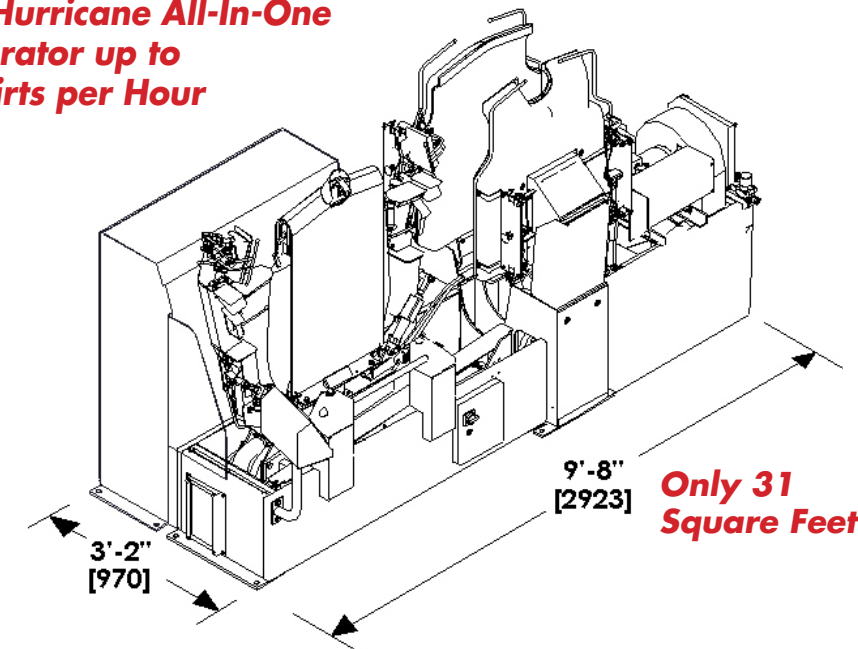
The Hurricane Series incorporates UNIPRESS' hallmark features to produce unsurpassed quality for shirts up to size 20". The side air bags inflate and smooth out the sides of the shirt while the contoured chests close. When the rear chest makes contact with the Tensioning plate it automatically pulls down the back of the shirt. This presses the entire back of the shirt with no leave off marks resulting in an outstanding finish and high production.

# Hurricane Series Recommended Layouts

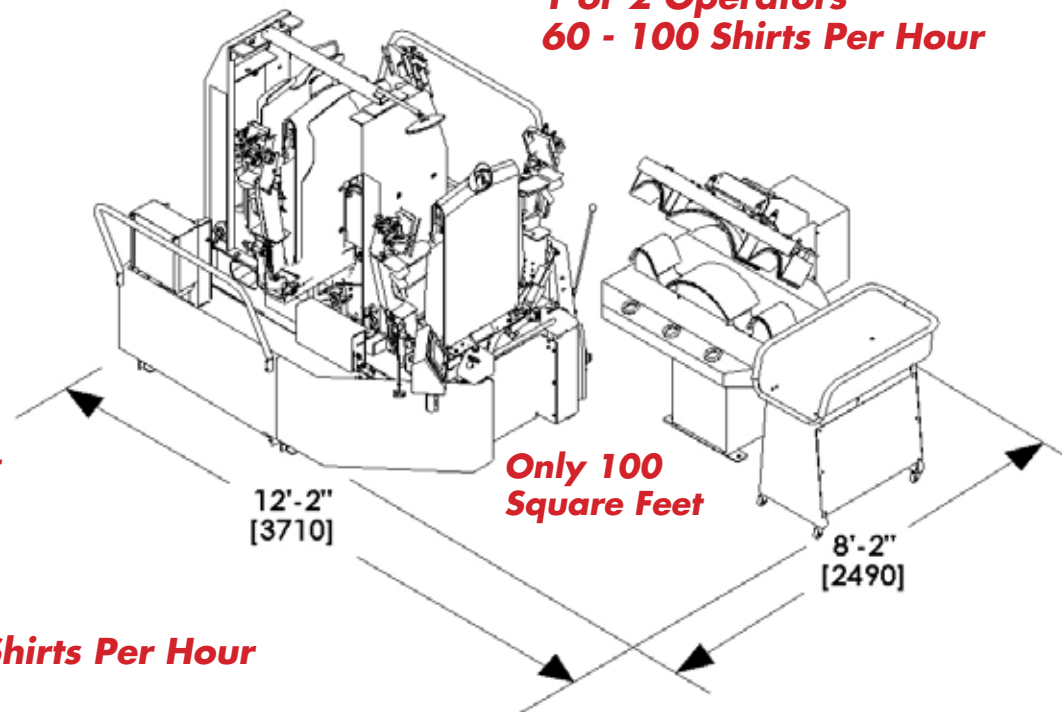
**HS Hurricane**  
1 Operator up to 60 Shirts per Hour



**HS-1 Hurricane All-In-One**  
1 Operator up to 60 Shirts per Hour



**HS-2 Hurricane**  
1 or 2 Operators  
60 - 100 Shirts Per Hour



**HS-2 Hurricane 3 Operators up to 200+ Shirts Per Hour**

