

SINGLE-LOAD FRONT-LOAD WASHERS – 60 Hz

MHN33



DURACORE DRIVE SYSTEM

- DuraCore Drive System is designed and tested to run 15,000 cycles*
- Watertight, flexible triple-lip seal with garter spring keeps moisture away from the shaft, protecting the premium bearings
- Durable shaft sleeve is designed to eliminate shaft wear



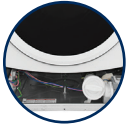
INTELLIGENT CONTROLS WITH M-SERIES TECHNOLOGY

- Offer flexibility and individual cycle pricing options for optimal earnings
- One-touch cycle selection allows end users to easily choose their preferred wash selection
- Built-in diagnostics help streamline service calls



ADVANCED SPIN TECHNOLOGY

- Delivers more consistent cycle times**
- Offers automatic load balancing through a six-point suspension to provide optimal stability for the entire wash unit



BUILT TO LAST

- Front-access panel — easy to remove, which streamlines service by providing fast access to internal components
- Heavy-duty die-cast door hinge — opens 180° and is built to withstand the rigors of commercial laundry
- Accelerometer — takes an accurate reading of cabinet vibration and allows the washer to expand on final spin speed limits
- Durable soap dispenser — its sturdiness adds to the machine's overall durability



COIN DROP EQUIPPED
MHN33PDCWW (pictured)



CANADA COIN DROP EQUIPPED
MHN33PDCXW (pictured)



CARD READER READY & NON-VEND
MHN33PRCWW (pictured)

SINGLE-LOAD FRONT-LOAD WASHER MODELS — 60Hz	
PAYMENT CONFIGURATION	MODEL NUMBER
Coin Drop Equipped	MHN33PDCWW MHN33PDCXW - CAN
Card Reader Ready & Non-Vend	MHN33PRCWW



See maytagcommerciallaundry.com for warranty details.

*Based on 11-lb load, 34 min. timed cycle, Heavy Soil.
**Compared to previous model, MHN30, based on 17-lb load.

VISIT MAYTAGCOMMERCIALLAUNDRY.COM FOR MORE INFORMATION.

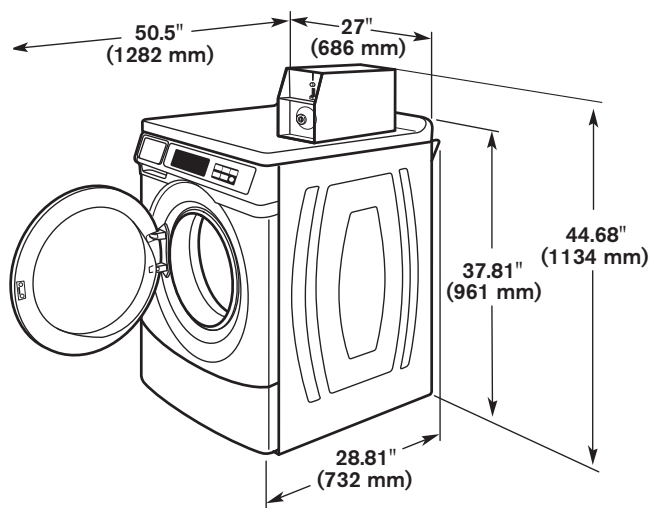
®/™ © 2020 Maytag. All rights reserved.
MY200020 5/20

SINGLE-LOAD FRONT-LOAD WASHERS – 60 Hz

MHN33



SIDE VIEW



5610 McAdam Road, Mississauga, Ontario L4Z 1P1
 905.890.1220 • 800.387.9503 • Fax: 905.890.7039
 email: harco@harcoco.com • www.harcoco.com



*Includes height of metercase.

**Based on 2018 United States DOE J2 Testing with factory preset cycles.

Dimensions are for planning purposes only. See specific instructions for proper installation. Because of continuous product improvement, Maytag reserves the right to change specifications without notice.

MODELS	MHN33 (PD)	MHN33 (PR)
PAYMENT CONFIGURATION	COIN DROP EQUIPPED	CARD READER READY/NON-VEND
CAPACITY		
Cylinder Volume — cu. ft. (liters)	3.1 (88)	3.1 (88)
Cylinder Diameter — in. (mm)	21.6 (547)	21.6 (547)
Cylinder Depth — in. (mm)	13.4 (341)	13.4 (341)
DIMENSIONS		
Depth — in. (mm)	28.81 (732)	28.81 (732)
Width — in. (mm)	27 (686)	27 (686)
Height — in. (mm)	44.68 (1,134)*	37.81 (961)
Door Opening — in. (mm)	14.25 (362)	14.25 (362)
CRATED DIMENSIONS		
Crated Width — in. (mm)	29 (736.6)	29 (736.6)
Crated Depth — in. (mm)	33-1/2 (850.9)	33-1/2 (850.9)
Crated Height — in. (mm)	48 1/2 (1,231.9)	40 1/2 (1,028.7)
APPROXIMATE WEIGHT		
Uncrated — lb (kg)	245 (111)	235 (107)
Crated — lb (kg)	254 (115)	244 (111)
ELECTRICAL REQUIREMENTS		
Voltage	120V	120V
Breaker/Fuse — Amps	15	15
WATER INLET HOSE/DRAIN HOSE		
Operating Pressure — psi (bar)	20–100 (1-8)	20–100 (1-8)
Inlet Hose Length — ft (m)	4 (1.22)	4 (1.22)
Drain Hose Length — ft (m)	6 (1.83)	6 (1.83)
APPROXIMATE WATER USAGE		
Average Total Water Usage Per Cycle — gallons (liters)	10.71 (40.50)**	10.71 (40.50)**
Average Hot Water Usage Warm Water Cycle — gallons (liters)	.71 (2.69)	.71 (2.69)
Average Hot Water Usage Hot Water Cycle — gallons (liters)	2.71 (10.26)	2.71 (10.26)
Integrated Water Factor (IWF)	3.5	3.5
Modified Energy Factor (MEF)	2.2	2.2
Energy Star® Certified	Yes	Yes
Extract Speed — Max G-Force/Max RPM	300/1,000	300/1,000
Motor Size — hp (kW)	1/2 (.37)	1/2 (.37)
ADA Compliant (with optional pedestal)	Yes	Yes