

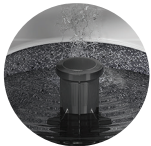
Commercial Top-Load Washer

With 100 years of experience in the industry and features that streamline service, Whirlpool® Commercial Laundry machines provide performance with the quality you expect.

Non-Coin

Commercial-Grade Features:

Choose a commercial-built product that withstands heavy traffic, regular use, and performs continuously.



Deep-Water Wash System

Provides optimal wash performance with deep-water wash and rinse cycle options and vigorous cleaning action.



Traditional Flex-Vane Agitator

Provides four distinct wash profiles—from aggressive to gentle—designed to pull clothes from the top to the bottom of the wash basket.



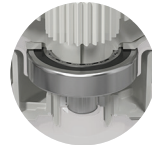
Galvanized, Heavy-Gauge Cabinet

Built from thick-gauge, high-quality steel, this cabinet handles high-traffic and constant use while offering top-caliber protection to the internal components.



Commercial-Grade Motor

The immensely powerful, ½-HP motor is designed to effectively deliver consistent, quality cleaning performance for any load—both the everyday and the extra large.



Premium Bearings

The high-quality bearings minimize friction as the machine runs, and are sealed for added longevity, helping to keep the machine running smoothly with every cycle.



Full-Wrap Console

The metal console wraps completely around the back of the machine, making it easy to clean, and offering optimal protection against unexpected liquid spills or vapor.

CAE2795FQ — 27" Commercial Washer

- 3.27 cu. ft. Capacity
- 700-RPM Spin Speed
- Cycle Indicator LEDs
- Extra-Large Lid and Tub Opening

- 6' Inlet Hose and 4' Drain Hose Included
- 90-Day Labor / 2-Year Limited Parts Only Warranty*

*See whirlpoolcommerciallaundry.com for complete warranty details.

Commercial Top-Load Washer

Non-Coin

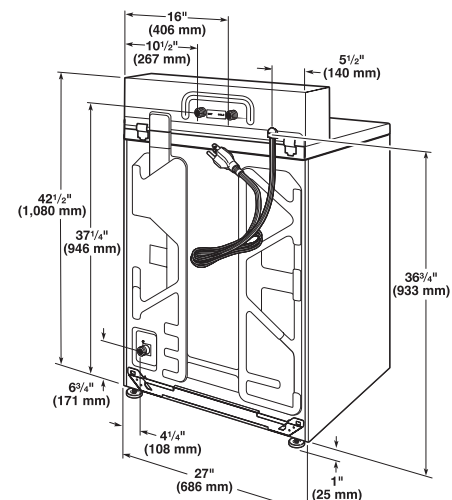
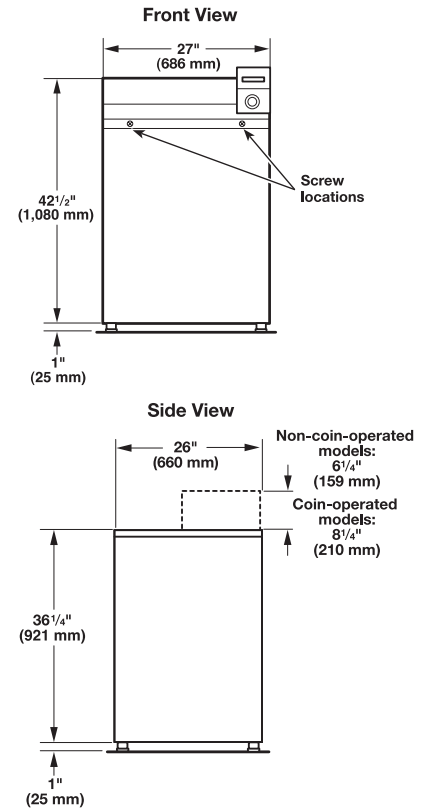


Washer Specifications

Model	CAE2795FQ
Motor Size — HP (KW)	1/2 (.37)
Modified Energy Factor (MEF _{J2})*	1.6
Integrated Water Factor (IWF)*	7.8
Approximate Water Usage — Gallons (Liters)	
Average Total Water Usage Per Cycle*	25.6 (96.6)
Average Hot Water Usage, Warm Water Cycle	0.53 (2)
Average Hot Water Usage, Hot Water Cycle	6.51 (24.6)
Extract Speed — Max G-Force / Max RPM	144 / 700
Capacity	
Cylinder Volume — cu. ft. (liters)	3.27 (92.6)
Cylinder Diameter — in. (mm)	20.8 (528)
Cylinder Depth — in. (mm)	23.8 (605)
Dimensions	
Width — in. (mm)	27 (686)
Depth — in. (mm)	26 (660)
Height — in. (mm)	42 1/2 (1,080)
Lid Opening — in. (mm)	17 (432)
Crated Dimensions	
Width — in. (mm)	29 (737)
Depth — in. (mm)	27.5 (699)
Height — in. (mm)	49 (1,255)
Approximate Weight	
Uncrated — lbs. (kg)	145 (65.8)
Crated — lbs. (kg)	163 (73.9)
Electrical Requirements	
Electrical Rating — voltage / Hz	120 / 60
Breaker / Fuse — amps	15
Water Inlet / Hose	
Operating Pressure PSI (bar)	20 – 100 (1 – 8)
Inlet Hose Length — ft. (m)	6 (1.8)
Drain Hose Length — ft. (m)	4 (1.3)
Warranty	2-Year Limited / 90-Day Labor

Dimensions are for planning purposes only. See specific instructions for proper installation. Because of continuous product improvement, Whirlpool reserves the right to change specifications without notice.

*Based on 2018 United States DOE J2 Testing with factory preset cycles.



2-YEAR LIMITED PARTS ONLY WARRANTY / 90-DAY LABOR

For 90 days from the date of original purchase, when this commercial appliance is installed, maintained, and operated according to instructions attached to or furnished with the product, Whirlpool Corporation (hereafter "Whirlpool") will pay for factory-specified replacement parts and repair labor to correct defects in materials or workmanship that existed when this commercial appliance was purchased. For the first two years from the date of purchase, when this major appliance is installed, maintained, and operated according to the instructions attached to or furnished with the product, Whirlpool will pay for factory-specified replacement parts to correct defects in materials or workmanship that existed when this commercial appliance was purchased.



5610 McAdam Road, Mississauga, Ontario L4Z 1P1
905.890.1220 • 800.387.9503 • Fax: 905.890.7039
email: harco@harcoco.com • www.harcoco.com