

JUDI II Tensioning Form Finisher

The JUDI II tensioning form finisher offers today's dry cleaners a method of finishing, to improve quality with minimal operator training or experience required. The TFF JUDI II combines the standard steam air form with a tensioning system to create optimum versatility in providing the highest standard of pressing quality available in the 21st century.

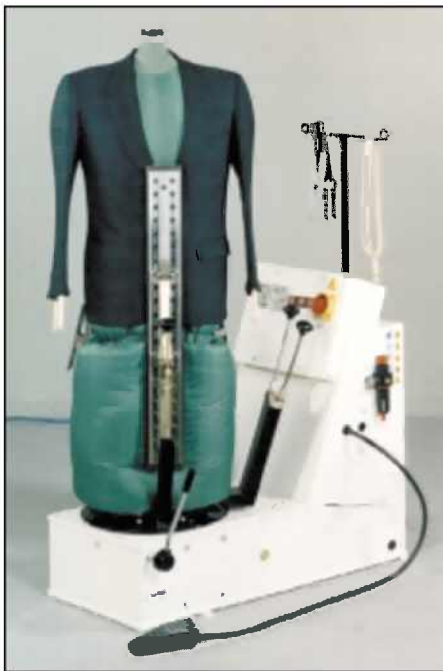
The JUDI II is designed to finish a wide range of garments including jackets, blouses, coats, sweaters, and all outerwear. It utilizes a microprocessor to control the steam, steam/air, and air cycles. The height of each garment is automatically controlled by a photocell, which ensures the proper positioning of the garment regardless of its length. Manual override controls allow the operator the flexibility of utilizing both front and rear clamps and side expanders as required.

Ten distinct programs offer a selection of finishing for various types of garments and fabrics. The microprocessor is user-friendly and all programs can be modified to satisfy individual finishing requirements. Training new, unskilled employees requires minimal time, with the highest quality being achieved within a few hours.

Hoffman/New Yorker's TFF JUDI II – The Choice for the 21st Century Dry Cleaner!



JUDI II



FORMASTER SAF

FORMASTER SAF - Designed for Finishing of Jackets, Coats, Blouses, Dresses Raincoats, Sweaters and Knits

FORMASTER SAF is a state of the art system with an adjustable high volume fan (1 HP other than 110 / 60 / 1 at 3/4 HP), foot pedal start, adjustable waist and bust controls, revolving form assembly water spray and condenser, anti-stretch over-bag system and a microprocessor.

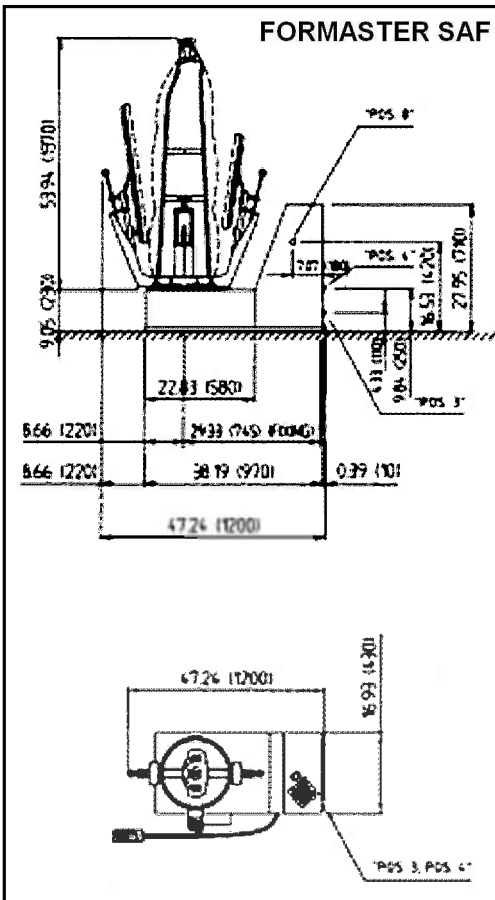
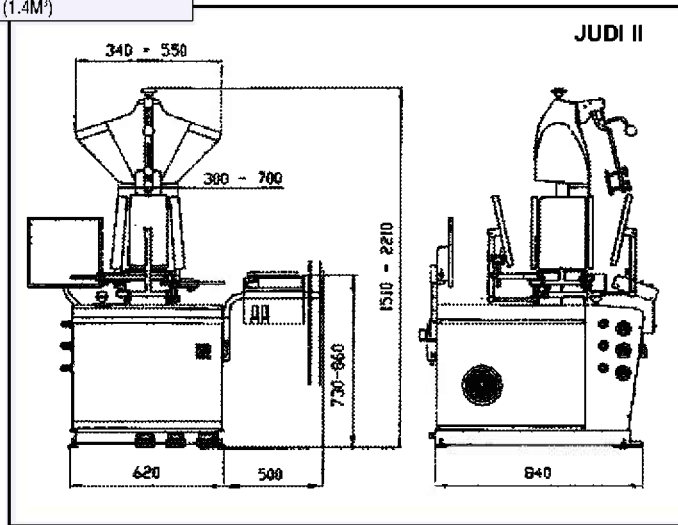
Eight distinct programs offer a selection of finishing for various types of garments and fabrics. The microprocessor is user-friendly and all programs can be modified to satisfy individual finishing requirements.

JUDI II & FORMASTER SAF



Specifications JUDI II & Formaster SAF

PDS	TECHNICAL SPECIFICATIONS	DATOS TECNICOS	CENTRAL SUPPLY
	REQUIRED POWER	ALIMENTACION ELECTRICA	220-60-3- 9.5AMPS 380-50-3- 5.5AMPS
	STEAM INLET	ALIMENTACION DE VAPOR	1/2" (12.7 mm)
	RETURN STEAM	RETORNO DE CONDENSADOS	1/2" (12.7 mm)
	AIR INLET	ALIMENTACION DE AIRE	1/4" (6.4 mm)
	STEAM WORKING PRESSURE	PRESION DE TRABAJO VAPOR	85 PSI (6 BAR)
	STEAM CONSUMPTION	CONSUMO DE VAPOR	66#/HR (30KG/HR)
	AIR WORKING PRESSURE	PRESION DE TRABAJO AIRE	85PSI (6 BAR)
	AIR CONSUMPTION	CONSUMO DE AIRE	1FT ³ (.03M ³)
	FAN MOTOR	MOTOR VENTILADOR	1.5HP (1.12 KW)
	NET WEIGHT	PESO NETO	240# (109 KG)
	GROSS WEIGHT	PESO BRUTO (JAULA)	270# (123 KG)
	OVERALL DIMENSION	DIMENSION DE EMBALAJE	44WX 33DX60-87H (1117WX838DX1524-2210H mm)
	VOLUME	VOLUME	50FT ³ (1.4M ³)



Formaster SAF

PDS	TECHNICAL SPECIFICATIONS	DATOS TECNICOS	CENTRAL SUPPLY
POS8	REQUIRED POWER	ALIMENTACION ELECTRICA	110-60-1- 11 AMPS 220-60-1- 5.5 AMPS 220-60-3- 3.2 AMPS 220-50-1- 5.5 AMPS 380/400-50-3- 2-AMPS
POS4	STEAM INLET	ALIMENTACION DE VAPOR	1/2" (12.7 mm)
POS3	RETURN STEAM	RETORNO DE CONDENSADOS	1/2" (12.7 mm)
	AIR INLET	ALIMENTACION DE AIRE	1/4" (6.4 mm)
	STEAM WORKING PRESSURE	PRESION DE TRABAJO VAPOR	85 PSI (6 BAR)
	STEAM CONSUMPTION	CONSUMO DE VAPOR	44#/HR (20KG/HR)
	AIR WORKING PRESSURE	PRESION DE TRABAJO AIRE	85PSI (6 BAR)
	AIR CONSUMPTION	CONSUMO DE AIRE	1FT ³ (.03M ³)
	FAN MOTOR	MOTOR VENTILADOR	1HP (0.75 KW)
			ALL BUT 110 VOLT WHICH IS 3/4 HP (0.56 KW)
	NET WEIGHT	PESO NETO	240# (109 KG)
	GROSS WEIGHT (CRATE)	PESO BRUTO (JAULA)	235# (106 KG)
	OVERALL DIMENSION	DIMENSION DE EMBALAJE	18WX 47DX63H (457WX1194DX1600H mm)
	VOLUME	VOLUME	31FT ³ (0.87M ³)

Equipment is subject to manufacturer's standard warranty. Accuracy of illustration and description of equipment shown herein applies to product as manufactured at time of publication.

Copyright 2002, Hoffman/New Yorker, Inc. All rights reserved.
Printed in U.S.A. 1M 902

HOFFMAN/NEW YORKER, INC.

46 Clinton Place Hackensack, NJ 07601 USA

Phone: 201-488-1800 Fax: 201-488-4480

www.hoffman-newyorker.com