

HIGH-EFFICIENCY COMMERCIAL DRYER

Speed Queen®

Canadian Model Only
For Sale in Canada Only

Coin-Equipped, Featuring Mechanical Controls



180°-WIDE-OPENING, SIDE-SWING DOOR

The door features a wide opening for easy loading and unloading and swings 180° to either side, giving optimal flexibility in any space.

FOUR-ROLLER SUSPENSION

The commercial-quality four-roller suspension delivers quality drying.

GALVANIZED CABINET

Built from commercial-grade, heavy-gauge metal, the galvanized cabinet stands up to traffic in busy commercial laundry environments.

FULL WRAP CONSOLE

The full-wrap metal console is easy-to-clean and protects internal components from unexpected liquid spills or vapor.

YQCEM2735FQ—27" Electric Dryer with Metercase

- 7.4-Cu.-Ft. Drum Capacity
- 1/3-HP Motor
- Galvanized, Heavy-Gauge Cabinet, Back, Side and Front Panels

- Front Service Accessibility
- 3-Year Limited Parts Only Warranty*

*Call 1-800-662-3587 for warranty details.

HIGH-EFFICIENCY COMMERCIAL DRYER

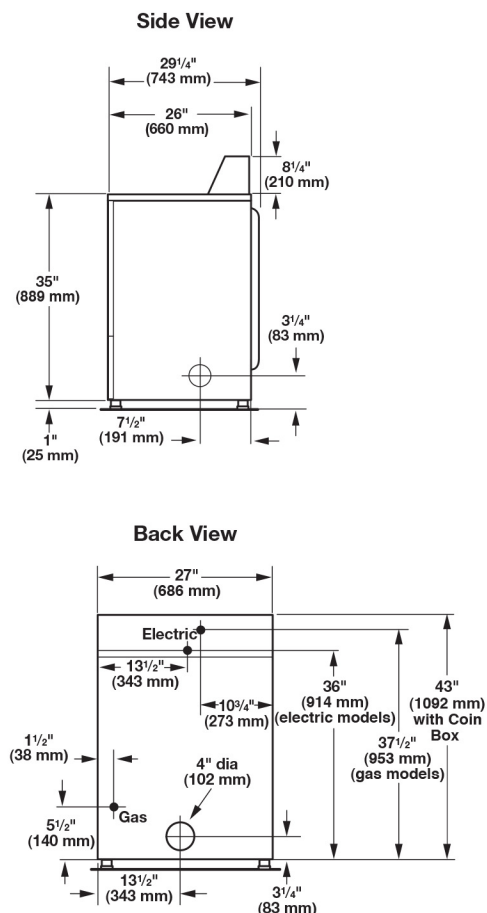
Speed Queen®

Canadian Model Only
For Sale in Canada Only

Coin-Equipped, Featuring Mechanical Controls

DRYER SPECIFICATIONS	
MODEL	YQCEM2735FQ
MOTOR SIZE—HP (KW)	1/3 (.25)
AIRFLOW	178
ELECTRIC HEATING ELEMENT (WATTS)	5,250
ELECTRICAL REQUIREMENTS	
Electrical rating—voltage/HZ	240V/60Hz
Breaker/Fuse—amps	30
CAPACITY	
Cylinder volume—cu. ft. (liters)	7.4 (210)
Cylinder diameter—in. (mm)	26.26 (667)
Cylinder depth—in. (mm)	23.2 (590)
DIMENSIONS	
Width—in. (mm)	27 (686)
Depth—in. (mm)	29.25 (743)
Height—in. (mm)	43 (1,092)
Door opening—in. (mm)	20.25 (514)
Exhaust duct diameter—in. (mm)	4 (101.6)
CRATED DIMENSIONS	
Width—in. (mm)	28.8 (731)
Depth—in. (mm)	30.8 (782)
Height—in. (mm)	44.65 (1,134)
APPROXIMATE WEIGHT	
Uncrated—lbs. (kg)	125 (56.7)
Crated—lbs. (kg)	135 (61.2)
WARRANTY	3-Year Limited
Dimensions are for planning purposes only. See specific instructions for proper installation. Because of continuous product improvement, Maytag reserves the right to change specifications without notice.	

Dimensions are for planning purposes only. For complete information, see installation instructions packed with product.



5610 McAdam Road, Mississauga, ON L4Z 1P1
1-800-387-9503 • 905-890-1220 • Fax: 905-890-7039
email: harcoco@harcoco.com • www.harcoco.com

Speed Queen® 3-YEAR LIMITED PARTS ONLY WARRANTY

For a period of three years from the date of original purchase, the designated parts that fail in normal commercial use will be repaired or replaced free of charge for the part itself, with the owner paying all other costs, including labor, transportation and customs duty. Chemical damage is excluded from all warranty coverage. See complete warranty for details.