

UDTM-25/35/50 COMFORT TUMBLE DRYERS



M PROGRAMMER

New M Control Display: Simple, user-friendly and economic. Programmable with external console push buttons to control temperature and time



OUTSTANDING FEATURES

Reversing drum action as standard
Stainless steel drum as standard
Frequency inverter as standard



EFFICIENCY

DUAL AIRFLOW - mixed axial-radial airflow
Extra Large Stainless Steel Lint Filter



VERSATILITY

Make to order - customization
OPL > VENDED - Standard OPL model easily transformable to coin laundry and viceversa



ERGONOMICS

Accessible Lint Drawer filter, made of stainless steel
Largest door diameters



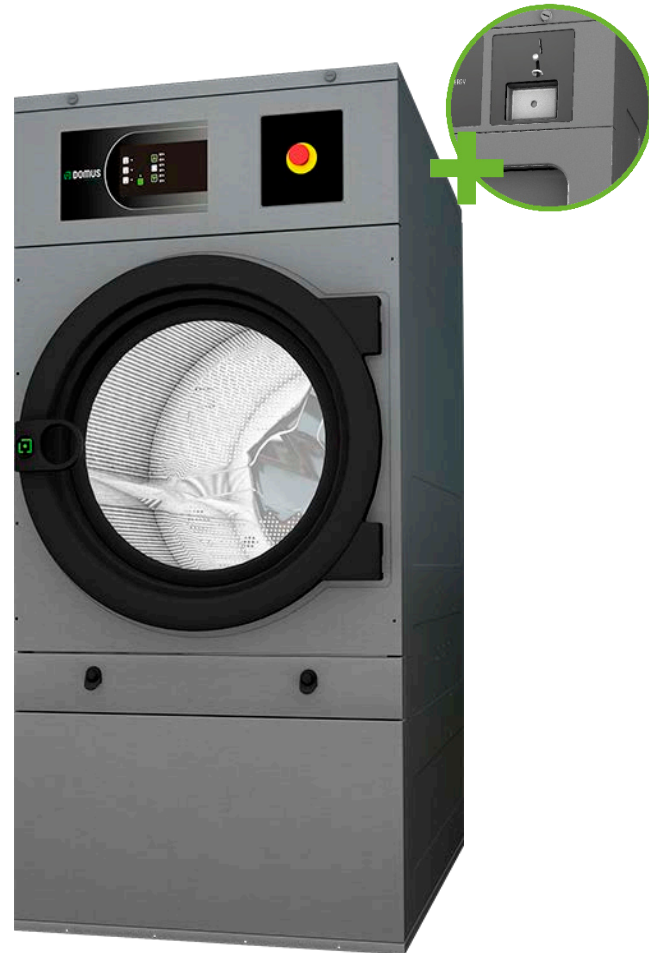
MAINTENANCE

Hinged Front Panel: easy and ergonomic access
Technical menu: statistics, alarm, autotest, data recovery for technicians and maintenance with M console



OTHERS

Grey skinplate outer casing, stainless steel look
Transmission by direct drive
SOFT DRY - new drum with stamped holes
COOL DOWN - anti-wrinkle at the end of the cycle
Heating options: electric, gas and steam
CE and ETL approved

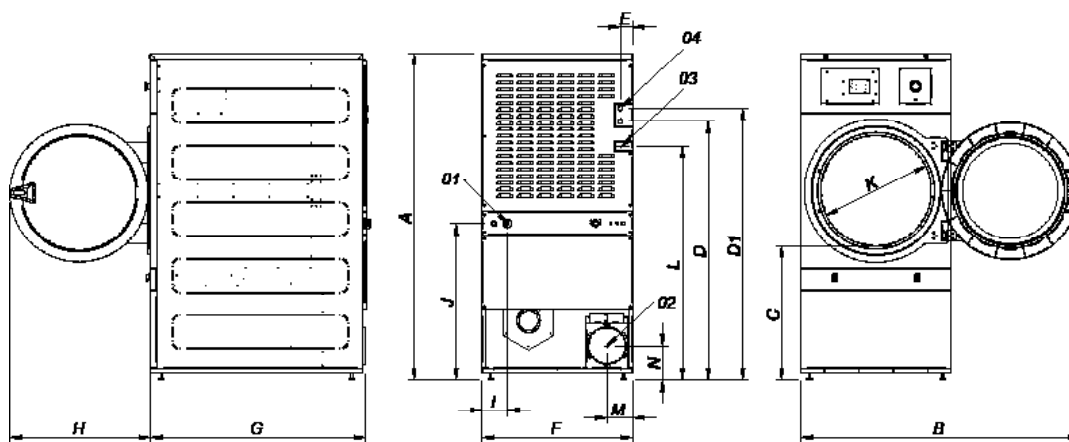


OPTIONS

- Double pane door glass
 - Reverse door opening
 - Rear panel external air + filter
 - Stainless steel steam battery
 - Low pressure steam battery
 - Wooden packing
 - Duct Silencer Ø 8"
- Ship voltage for electric models:
440V III 50/60 Hz No neutral

TECHNICAL DATA	UNIT.	UDTM- 25		UDTM- 35		UDTM-50	
CAPACITY							
Capacity 1/18	lb	26		40		60	
Capacity 1/20	lb	25		35		50	
Hourly Output *	lb/h	62/ 6		68 / 9		88 / 6	
Evaporation Capacity *	l/h	14,5		16,3		20,4	
DRUM							
Ø Drum	in	29.50		29.50		33	
Ø Door	in	22.50		22.50		22.50	
Door Center Height	in	38.50		38.50		40.50	
Door Bottom Height	in	27		27		29.25	
Drum Depth	in	18.70		29.30		31.50	
Drum Volume	cu ft	7		12		17	
POWER							
Drum motor power	HP	1		1		1	
Fan motor power	HP	0.33		0.33		0,75	
Electric heating power	kw	16		24		32	
Total electric power (elec.model)	kw	16.99		25.03		33.48	
Gas heating power	BTU	70,000		70,,000		105,000	
Total electric power (gas model)	kw	0.89		0.89		1.3	
Steam heating power	kw	40		40		66	
Steam heating power (gas model)	kw	0.89		0,89		1.3	
CONNECTIONS		ELECTRICAL	STEAM / GAS	ELECTRICAL	STEAM / GAS	ELECTRICAL	STEAM / GAS
FLA Tension 120 V - I / 230V - I + N + T	A	63	20	-	20	-	20
FLA Tension 230V - III + T	A	40	20	63	20	80	20
FLA Tension 400V - III + N + T	A	25	20	32	20	40	20
Ø Gas inlet	BSP	1/2"		1/2"		1/2"	
Ø Steam inlet	BSP	3/4"		3/4"		1"	
Ø Condensed (Steam models)	BSP	3/4"		3/4"		1"	
DIMENSIONS / PACKING DIMENSIONS							
Net Width / Gross Width	in	31 / 34		31 / 34		35 / 38	
Net Depth / Gross Depth	in	33 / 37		44 / 48		49 / 53	
Net Height / Gross Height	in	67 / 73		67 / 73		71 / 76	
Height without heating battery	in	-		-		-	
Net weight / Gross weight	lb	379 / 396		412 / 440		462 / 485	
OTHERS							
Max airflow	CFM	500		500		706	
Ø Duct Size	in	8		8		8	
Sound level	dB	64		64		65	

* It may vary depending on the type of heating, filter cleanliness or extraction type.



- 01 ELECTRIC CONNECTION
- 02 DUCT SIZE Ø 8"
- 03 GAS CONNECTION 1/2"
- 04 STEAM CONNECTION 3/4"

	A	B	C	D	D1	E	F	G	H	I	J	K	L	M	N
UDTM-25	67	57	27	54	56	3	31	34	29	3.75	33	23	48.25	5.25	7
UDTM-35	67	57	27	54	56	3	31	44.25	29	3.75	33	23	48.25	5.25	7
UDTM-50	71	61	29.25	56.25	60.25	4.50	35	49.50	29	8	34	23	53	5.25	7