



WINNING THE FUTURE THROUGH INNOVATION

UDTT-25/3545\$ DYNAMIC TUMBLE DRYERS

TOUCH II

User friendly and totally programmable
Touch II
USB Connection. PC software free of charge for programming, traceability, data analysis Videos on display (ads, instructions, etc.)
37 languages

OUTSTANDING FEATURES

Reversing drum action as standard
Stainless steel drum as standard
Frequency inverter as standard

EFFICIENCY

DUAL AIRFLOW - mixed axial-radial airflow
Extra Large Stainless Steel Lint Filter

VERSATILITY

Make to order - customization
WET CLEANING DBCMF
OPL > Multivending - Standard OPL model easily transformable to coin laundry and viceversa

CONNECTIVITY

Remote technical service
Management of laundries: OPL and COIN Remote payment

ERGONOMICS

Accessible Lint Drawer filter, made of stainless steel
Largest door diameters
Opening sense of door adjustable on site

MAINTENANCE

Hinged Front Panel: easy and ergonomic access
Technical menu: statistics, alarm, autotest, data recovery for technicians and maintenance with M console

OTHERS

Grey skinplate outer casing, stainless steel look
Transmission by direct drive
SOFT DRY - new drum with stamped holes
COOL DOWN - anti-wrinkle at the end of the cycle
Heating options: electric, gas and steam
CE and ETL approved

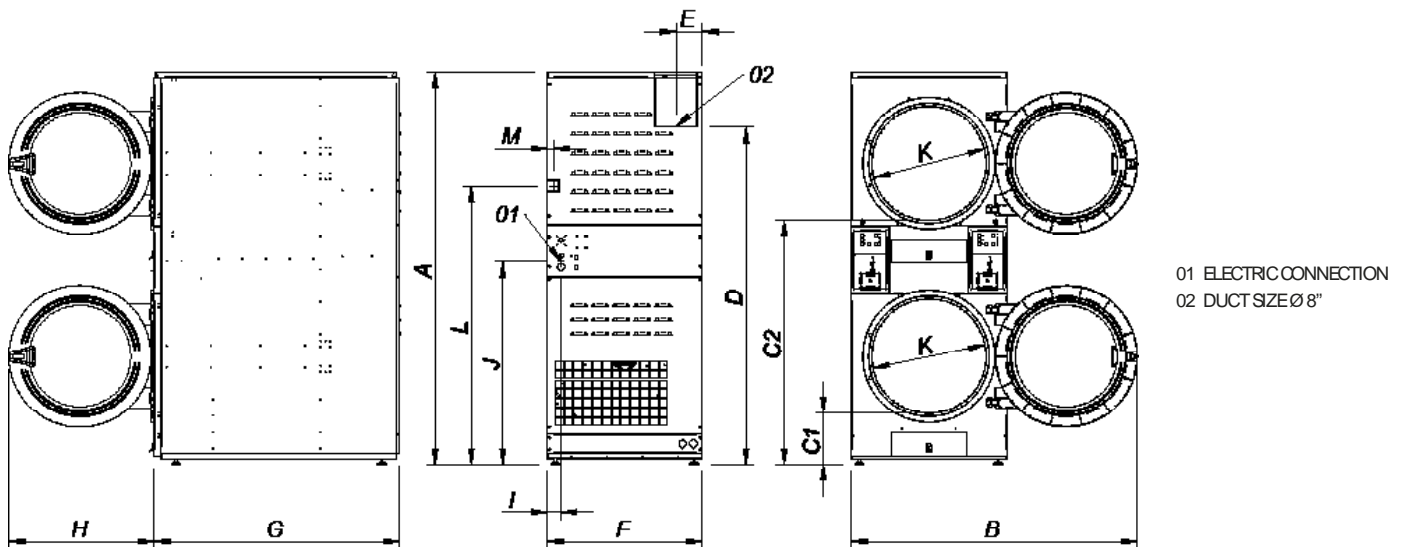


OPTIONS

EFFICIENT DRY - Intelligent humidity control with new drum inlet temperature control
Double pane door glass
Reverse door opening
SFEX - Integrated Fire Extinguishing System
New dosing/vaporizing system
Printer
DomusConnect communication kit
Stainless steel AISI 304 outer casing
Stainless steel AISI 304 front panel
Stainless steam battery
Low pressure steam battery
Wooden packing
Exhaust silencer Ø 8
Rear panel external air + lter
Ship voltage for electric models:
440V III 50/60 Hz No neutral

TECHNICAL DATA	UNIT.	UDTT2 - 25	UDTT2 - 35		
CAPACITY					
Capacity 1/18	lb	50	80		
Capacity 1/20	lb	48	75		
Hourly Output*	lb/h	79	116		
Evaporation capacity*	l/h	16,5	18,6		
DRUM					
Ø Drum	in	29.50	29.50		
Ø Door	in	22.50	22.50		
Door center height	in	21.50 / 60	21.50 / 60		
Floor to door bottom	in	10.25 / 49	10.25 / 49		
Drum length	in	18.75	29.25		
Drum volume	cu ft	7.41	11.65		
POWER					
Drum motor power	HP	1 x 2	1 x 2		
Fan motor power	HP	.33 x 2	.33 x 2		
Electric heating power	Kw	12x2	12x2		
Total electric power (elec.model)	Kw	25,34	25,34		
Gas heating power	BTU	40,945 x 2	40,945 x 2		
Total electric power (gas.model)	Kw	1,34	1,34		
CONNECTIONS					
		ELECTRC.	GAS	ELECTRC.	GAS
FLA Tension 120 V - I / 230V - I + N + T	A	--	20	-	20
FLA Tension 230V - III + T	A	80	20		20
FLA Tension 400V - III + N + T	A	40	20		20
DIMENSIONS/ PACKINGDIMENSIONS					
Net width / Gross width	in	31 / 34	31 / 34		
Net Depth / Gross Depth	in	38.25 / 41.50	49 / 52		
Net Height / Gross Height	in	78 / 84	78 / 84		
Net weight / Gross weight	lb	260/268	290/303		
OTHERS					
Max airflow	CFU	589	589		
Ø Duct Size	in	8	8		
Sound level	dB	64	64		

* It may vary depending on the type of heating, filter cleanliness or extraction type.



	A	B	C1	C2	D	E	F	G	H	I	J	K	L	M
UDTT2-25	78	67	10	48.50	63.75	5.25	31	38.25	29	64	40.50	22.50	55.25	1.50
UDTT2-35	78	67	10	48.50	63.75	5.25	31	49	29	64	40.50	22.50	55.25	1.50