

ELECTRONIC PROGRAMMER

M programmer: push buttons to control temperature and time.

OUTSTANDING FEATURES

Reversing drum action is standard.
Galvanized drum is standard.
Frequency inverter is standard.

EFFICIENCY

Lint filter.

VERSATILITY

Make to order - customization.
OPL > Coin laundry - Standard OPL model easily transformable to coin laundry.

ERGONOMICS

Large Loading doors.

MAINTENANCE

Hinged control panel: easy and ergonomic access.
Technical menu: statistics for technicians.
Easy to access to components.

OTHERS

White painted panels.
COOL DOWN - anti-wrinkle at the end of the cycle.
Heating options: electric or gas.
CE approved

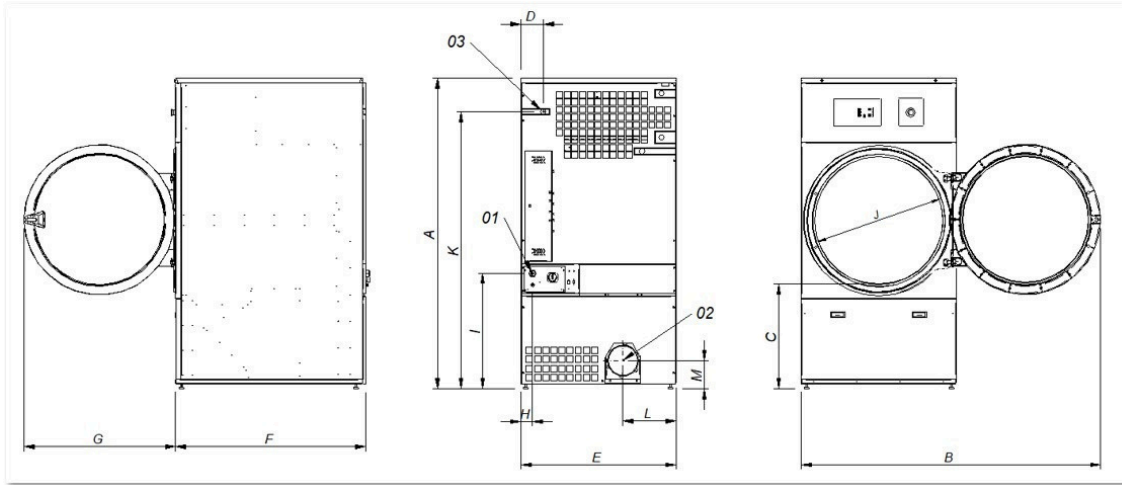


OPTIONS

- Opposite door opening
- Back panel with air filter
- M programmer display

CAPACITY & DRUM		UNIT.	UDLM-80	
Capacity 1/18		Kg	36.7	
		lb.	80.8	
Capacity 1/20		Kg	33	
		lb.	72.8	
Ø Drum		mm	947	
		inch	37.28	
Drum length		mm	936	
		inch	36.85	
Drum volume		l	660	
		cu ft.	23.30	
Ø Door hole		mm	802	
		inch	31.57	
Door center height		mm	1040	
		inch	40.94	
Height from floor to bottom of door		mm	578	
		inch	22.74	
ELECTRIC HEATING				
Evaporation capacity		L/h	31.50	
		US gallon/h	8.2	
Hourly output		Kg/h	60	
		lb/h	132.3	
Installed heating power		kW	36	
Installed electrical power		kW	37.15	
Drum motor power		kW	0.55	
GAS HEATING				
Evaporation capacity (gas model)		L/h	32.1	
		US gallon/h	8.480	
Hourly output (gas model)		Kg/h	63.9	
		lb./h	140.9	
Installed gas heating power		kcal/h	35276	
		Btu/h	139986.5	
Installed gas heating power		kW	41	
Installed electrical power		kW	1.15	
Instant propane gas consumption (G31)		Kg/h	3.51	
		lb./h	7.74	
Instant natural gas consumption (G20)		m ³ /h	4.34	
		cfm	2.55	
Ø Gas inlet		BSPP ISO 228-1	1/2"	
VENTILATION				
Fan motor power		kW	0.55	
Nominal air flow rate		m ³ /h	1200	
		cfm	706.29	
Ø Fume exhaust		mm	200	
Ø Fume exhaust		inch	8	
HEAT EMISSION				
Maximum total heat emission Max.		kW	3.6	
		Btu/h	12290.9	
front heat emission		kW	2.52	
		Btu/h	8603.6	
CONNECTIONS				
Voltage 120/60/1~ + G		Nº x AWG / A	E	G
Voltage 230 - 3~ + G		-	-	-
Voltage 480- 3~ + G		-	-	-
NET DIMENSIONS / D. WITH PACKING				
Net / gross width		mm	985 / 1065	
		inch	38.78 / 41.93	

Net / gross depth	mm	1210 / 1310
	inch	47.64 / 51.57
Net height / gross height without heating	mm	1975 / 2080
	inch	77.76 / 81.89
Net / gross weight	Kg	260 / 285
	lb	573.20 / 628.32
OTHERS		
Sound level	dB	65



01 Power supply
02 Fumes output 8"
03 Gas inlet 1/2"

	A	B	C	D	E	F	G	H	I	J	K	L	M
UDLM-80	77.75	75.19	25.98	5.55	38.77	47.63	38.18	2.75	730	28.74	69.60	13.26	7.00