

MLE/MLG27PD

MAYTAG® COMMERCIAL SINGLE-LOAD SUPER-CAPACITY STACK DRYER



LEGENDARY MAYTAG DEPENDABILITY

Maximizing your equipment investment for over a half-century.

TWO POCKETS IN THE SPACE OF ONE

You can potentially double your dryer income and help eliminate waiting with two dryer pockets in the same floor space as one single-load dryer.

FOR YOUR CUSTOMERS:

- Extra-Large 7.4 cu. ft. Capacity
- Easy-To-Use One-Touch Selection
- High Airflow For Better Clothes Care
- Time Remaining Display
- Optional Top-Off
- Larger Window For Convenience

FOR YOUR OPERATION:

- TurboVent™ Technology—Better Performance On Long Vents
- Advanced Computer Trac® Controls Allow For Easy Programming
- Front Access For Easier Self Service
- Accu Trac® Audit System With Two-Way Data Communication
- Large-Capacity Metal Mesh Lint Filter
- Debit Card Compatibility
- Dual Coin-Drop Option

BUILT-TO-LAST™ FEATURES:

- Four Roller Suspension With Permanently Lubricated Bearings
- Blower Guard Reduces Service Calls
- Premium Security Vault
- 5-Year Limited Warranty—All Parts Covered



Visit maytagcommerciallaundry.com or call 800-662-3587



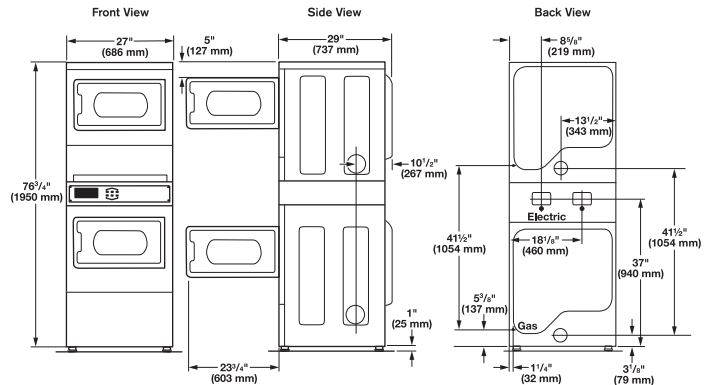
MLE/MLG27PD

MAYTAG® COMMERCIAL
SINGLE-LOAD SUPER-CAPACITY
STACK DRYER

MAYTAG® COMMERCIAL SINGLE-LOAD SUPER-CAPACITY STACK DRYER MICROPROCESSOR COIN-DROP

| DRYER SPECIFICATIONS | |
|------------------------------------------------------------|---------------------|
| MODEL | MLE/MLG27PD |
| MOTOR | |
| Single-phase, thermoprotected against overload, auto-reset | ▪ |
| HP (kw) | 1/3 (.33) |
| CAPACITY | |
| Cu. ft. (liters) | 7.4 (209.5) |
| AIRFLOW —cfm (cmm) | |
| Gas/Electric models—per pocket | 230 (6.5)/215 (6.1) |
| TUMBLE SPEED | |
| RPM | 50 ± 1.5 |
| SOUND LEVEL (export model only) | |
| Sound pressure level, Lpa (dBA) (Kpa: ± 10dBA) | 58 |
| ELECTRICAL REQUIREMENTS | |
| MLE model—voltage | 240V/60Hz* |
| MLG model—voltage | 120V/60Hz |
| Export models—voltage | 220–240V/50 Hz |
| BREAKER/FUSE REQUIREMENTS —amps | |
| Electric model—domestic (each drying chamber) | 30 |
| Electric model—export (one terminal block per stack) | 50 |
| Electric model—Canada (one terminal block per stack) | 60 |
| Gas models, all versions—(one power cord per stack) | 15 |
| HEATER ELEMENT RATING —watts | |
| Domestic model—per pocket | 5,600 |
| Export models—per pocket | 4,600 |
| EXHAUST DUCT DIAMETER | |
| In. (mm) | 4 (101.6) |
| ELECTRONIC BURNER IGNITION | |
| MLG models | ▪ |
| GAS RATING | |
| MLG models—BTU/hr. (kcal/hr.) | 24,000 (6,048) |
| MLG export model—BTU/hr. (kcal/hr.) | 20,000 (5,040) |
| GAS INLET | |
| MLG models—in. | 3/8 N.P.T. |
| AUTOMATIC PRESSURE REGULATOR | |
| MLG models | ▪ |
| ADJUSTABLE LEVELING LEGS | |
| MLG models | ▪ |
| APPROXIMATE WEIGHT | |
| Crated—lbs. (kg) | 294 (133.4) |
| Uncrated—lbs. (kg) | 272 (123.4) |
| DIMENSIONS | |
| Width—in. (mm) | 27 (686) |
| Depth—in. (mm) | 29 (737) |
| Height—in. (mm) | 76.75 (1,950) |

See specific instructions for proper installation. Because of continuous product improvement, Maytag reserves the right to change specifications without notice.
*208-Volt electrical element kit available.



MAXIMUM EXHAUST DUCT LENGTH PER NUMBER OF TURNS

| Number Of 90° Turns | Rigid Metal Vent | |
|------------------------|--------------------------------|----------------------|
| | Box Hood and Louvered Style | Angled Hood Style |
| 0 | 135 ft. (41.2 m) | 129 ft. (39.3 m) |
| 1 | 125 ft. (38.1 m) | 119 ft. (36.3 m) |
| 2 | 115 ft. (35.1 m) | 109 ft. (33.2 m) |
| 3 | 106 ft. (32.3 m) | 100 ft. (30.5 m) |
| 4 | 98 ft. (29.9 m) | 92 ft. (28.0 m) |



5-YEAR LIMITED WARRANTY ALL PARTS COVERED

For a period from the date of original purchase through the time listed above, the designated parts that fail in normal commercial use will be repaired or replaced free of charge for the part itself, with the owner paying all other costs, including labor, transportation and customs duty. Chemical damage is excluded from all warranty coverage. See complete warranty for details.



Chef de file en équipements de buanderie

6565 Rue Abrams, Ville St. Laurent, QC H4S 1X9
Phone: 1-888-427-2626 • Fax: 1-514-331-0800
email: info@harcoinc.ca • www.harco.com

OUR COMMITMENT TO DEPENDABLE QUALITY

At Maytag brand, we believe durable goods should remain just that. That's why every Maytag® product is constructed of the highest-quality materials and with the utmost in precision craftsmanship. It's also why we stand behind our equipment with solid service and support from our professional Maytag laundry suppliers. Simply put, when you choose Maytag® products, you ensure your peace of mind.