

UDTM2-25/35 STACK COMFORT TUMBLE DRYERS



M PROGRAMMER

New M programmer: push buttons to control temperature and time



OUTSTANDING FEATURES

Reversing drum action as standard
Stainless steel drum as standard
Frequency inverter as standard



EFFICIENCY

DUAL AIRFLOW - mixed axial-radial airflow
Extra Large Stainless Steel Lint Filter



VERSATILITY

Make to order - customization
OPL > VENDED
Standard OPL model easily transformable to coin laundry and vice versa



ERGONOMICS

Accessible Lint Drawer filter, made of stainless steel
Largest door diameters



MAINTENANCE

Hinged panel: easy and ergonomic access
Technical menu: statistics, alarm, auto-test, data recovery for technicians and maintenance.



OTHERS

Easy-to-clean, outer casing in gray skin-plate with stainless steel look.
SFEX - Integrated Fire Extinguishing System
SOFT DRY - extra smooth drum perforations for the gentle treatment of fabrics.
COOL DOWN - anti-wrinkle at the end of the cycle
CE and ETL approved
Heating options: Gas and electric (coming soon)

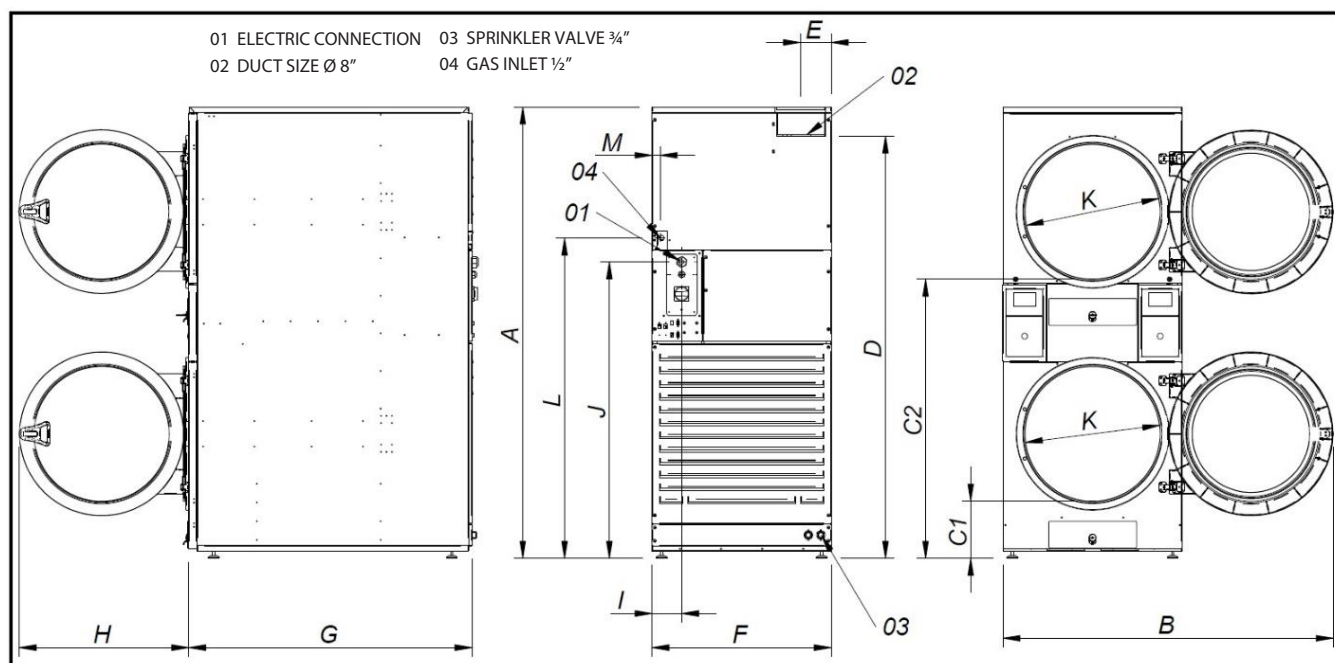


OPTIONS

- Double door-glass.
- Stainless steel side panels.
- Stainless steel front panel.
- Display for time, temperature and program.
- External programmer.
- Ship voltage for electric models: 440V III 50/60 Hz No neutral

TECHNICAL DATA	UNIT.	UDTM2 - 25		UDTM2 - 35	
CAPACITY					
Capacity 1/18	lb (kg)	25.8 (11.7) x 2		40.3 (18.3) x 2	
Capacity 1/20	lb (kg)	23.1 (10.5) x 2		36.4 (16.5) x 2	
Production Output*	lb/h	76		80	
Evaporation capacity*	l/h	16.5		18.6	
DRUM					
Ø Drum	in	29.50		29.50	
Ø Door	in	22.60		22.60	
Door center height	in	21.50 / 60		21.50 / 60	
Door bottom height	in	10.2 / 48.6		10.2 / 48.6	
Drum depth	in	18.7		29.4	
Drum volume	cu ft	7.41		11.65	
POWER					
Drum motor power	HP	1 x 2		1 x 2	
Fan motor power	HP	0.33 x 2		0.33 x 2	
Electric heating power	kW	12 x 2		12 x 2	
Total electric power (elec.model)	kW	25.34		25.34	
Gas heating power	Btu/h	41,000 x 2		41,000 x 2	
Total electric power (gas model)	kW	1.34		1.34	
CONNECTIONS		ELECTRIC.	GAS	ELECTRIC.	GAS
120 V / 60 Hz / 1	FLA	-	15 A	-	15 A
208-240 V / 50-60 Hz / 1 / 3	FLA	Not Available	-	Not Available	-
Gas connection	in	-	0.50	-	0.50
DIMENSIONS / PACKING DIMENSIONS					
Net width / Gross width	in	31 / 34		31 / 34	
Net Depth / Gross Depth	in	38.25 / 41.50		49 / 52	
Net Height / Gross Height	in	78 / 84		78 / 84	
Net weight	lb	573		639.2	
OTHERS					
Max airflow	CFM (m3/h)	294.29 (500) x2		294.29 (500) x2	
Ø Duct Size	in	8		8	
Sound level	dB	64		64	

* It may vary depending on the type of heating, filter cleanliness or extraction type.



	A	B	C1	C2	D	E	F	G	H	I	J	K	L	M
UDTM2-25	78	57	10.2	48.60	63.75	5.25	31	38.25	29	5.11	50.20	22.60	55.70	1.40
UDTM2-35	78	57	10.2	48.60	63.75	5.25	31	48.90	29	5.11	50.20	22.60	55.70	1.40