



# MAYTAG® COMMERCIAL MULTI-LOAD STACK DRYER

## MLG31PC



**THE BEST WARRANTY  
IN THE BUSINESS —  
5 YEARS ON ALL PARTS.**

### FAST, EFFICIENT DRYING IN LESS FLOOR SPACE

The MLG31PC offers a 42¾" footprint depth — one of the smallest in the industry. You can fit two 30-pound dryer pockets in the same floor space as one conventional multi-load dryer.

### MICROPROCESSOR CONTROLS

Maytag® Computer Trac® controls let you adjust prices by cycle, day and time and provide simple one-touch cycle selection.



### FOR YOUR CUSTOMERS:

- Fast-Drying Axial Airflow System
- Extra-Large Door Openings
- Digital Display Shows Time Remaining In Cycle

### FOR YOUR OPERATION:

- Single Coin Box For Both Dryers
- Front Access For Easy Service
- 2 6" Vents Convert To 1 10" Vent
- 2 Large-Capacity Lint Drawers

### BUILT-TO-LAST™ FEATURES:

- Built Like A Tank — One Of The Heaviest 30-Pound Stack Dryers On The Market
- Heavy-Duty Enclosed Motors
- Permanently Lubricated Bearings
- The Best Warranty In The Business



*Model MLG31PC  
shown in White.*

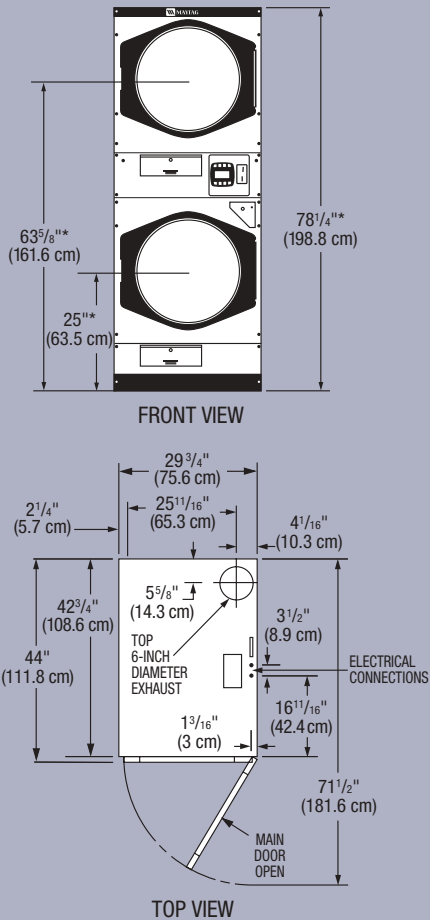
**SMALLER  
FOOTPRINT REQUIRES  
LESS FLOOR  
SPACE.**

*Model MLG31PC  
shown in Stainless  
Steel.*

LAUNDRY SOLUTIONS YOU CAN **DEPEND ON.**

# Maytag® Commercial Multi-Load Stack Dryer —

## MICROPROCESSOR COIN-DROP



\*Dimensions will vary according to adjustment of leveling legs; add 1/2" (1.3 cm) minimum.



## 5 YEARS — ALL PARTS

For a period from the date of original purchase through the time listed above, the designated parts that fail in normal commercial use will be repaired or replaced free of charge for the part itself, with the owner paying all other costs, including labor, transportation and customs duty. Chemical damage is excluded from all warranty coverage. See complete warranty for details.



Maytag® Commercial Multi-Load Stack Dryer	
<b>DRYER SPECIFICATIONS</b>	
<b>MODEL</b>	MLG31PC
<b>MOTOR</b>	
Single-phase, thermoprotected against overload, auto-reset	•
HP (kw)	1/2 (.249)
<b>CAPACITY</b>	
Lbs. (kg)	30 (13.6)
Cu. ft. (cu. m)	10.1 (.287)
<b>AIRFLOW</b>	
Cfm (cmm) per drying chamber	400 (11.3)
<b>TUMBLER</b>	
Diameter — in. (cm)	27 1/4 (69.2)
Depth — in. (cm)	30 (76.2)
<b>DOOR OPENING DIAMETER</b>	
In. (cm)	21 1/2 (54.6)
<b>ELECTRICAL REQUIREMENTS</b>	
<b>BREAKER/FUSE REQUIREMENTS</b>	
Amps per drying chamber	20
<b>EXHAUST DUCT DIAMETER</b>	
1 inlet — in. (cm)	10 (25.4)
2 inlets — in. (cm)	6 (15.2)
<b>GAS RATING</b>	
BTU/hr. (kcal/hr.) per drying chamber	68,000 (17,135)
<b>GAS INLET</b>	
In. (cm)	1/2 (1.3)
<b>ADJUSTABLE LEVELING LEGS</b>	
<b>COLORS</b>	
White	•
Bisque	•
Stainless Steel	•
<b>APPROXIMATE WEIGHT</b>	
Crated — lbs. (kg)	860 (390.1)
Uncrated — lbs. (kg)	793 (359.7)
See specific instructions for proper installation. Because of continuous product improvement, Maytag reserves the right to change specifications without notice.	



NEW YORK CITY M.E.A.

