

Spotmaster Spotting Boards And Cabinets – The Most Complete Range of Spotting Systems!

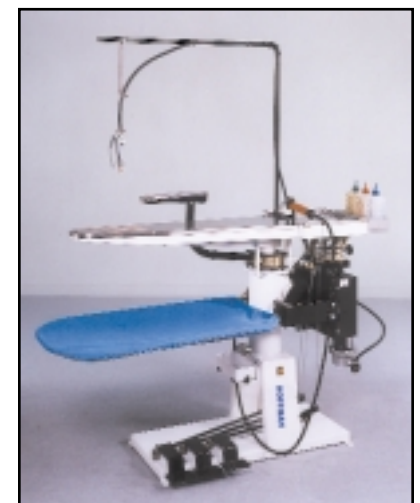
- Hot 'n' Cold-SLB-VC Solenoid controlled steam/air spotting gun, 2 cold spotting guns and solvent containers, self contained vacuum.
- Hot-SLB-V Solenoid controlled steam/air spotting gun and self contained vacuum.
- Hot-SLB Solenoid controlled steam/air spotting gun with central vacuum valve.
- Hot-Spotmaster-C, hot only-mechanical valves, central vacuum connection or self contained vacuum.
- SuperCab II - Ecological filter system and exhaust, pre-spot work station, post-spot work station, self contained vacuum, steam/air gun, cold spotting gun, soap pressure tank with brush and spray gun, water spray gun.



SuperCab II



Hot 'n' Cold SLB-VC



Spotmaster - C

Specifications Spotmaster

Spotmaster-C

| POS | TECHNICAL SPECIFICATIONS | DATOS TECNICOS | CENTRAL SUPPLY |
|-------|------------------------------------|--------------------------|--|
| POS3 | REQUIRED POWER FOR OPTIONAL VACUUM | ALIMENTACION ELECTRICA | 220-60-1- 3 AMPS 220-50-1- 3 AMPS |
| POS4 | STEAM INLET | ALIMENTACION DE VAPOR | 1/2" (12.7 mm) |
| POS32 | RETURN STEAM | RETORNO DE CONDENSADOS | 1/2" (12.7 mm) |
| | AIR INLET | ALIMENTACION DE AIRE | 1/4" (6.4 mm) |
| | STEAM WORKING PRESSURE | PRESION DE TRABAJO VAPOR | 85 PSI (6 BAR) |
| | STEAM CONSUMPTION | CONSUMO DE VAPOR | 11#/HR (5KG/HR) |
| | AIR WORKING PRESSURE | PRESION DE TRABAJO AIRE | 85 PSI (6 BAR) |
| | AIR CONSUMPTION | CONSUMO DE AIRE | 1FT ³ (.03M ³) |
| POS 8 | VACUUM OUTLET | TURBO SALIDA DE ASPIRADO | 4" (102 mm) |
| | VACUUM MOTOR | MOTOR ASPIRADO | 1/2 HP (.375 KW) |
| | NET WEIGHT | PESO NETO | 240# (109 KG) |
| | GROSS WEIGHT (CRATE) | PESO BRUTO (JAULA) | 310# (141 KG) |
| | OVERALL DIMENSION | DIMENSION DE EMBALAJE | 53WX 27DX66H (1346WX686DX1676H mm) |
| | VOLUME | VOLUME | 55FT ³ (1.6M ³) |

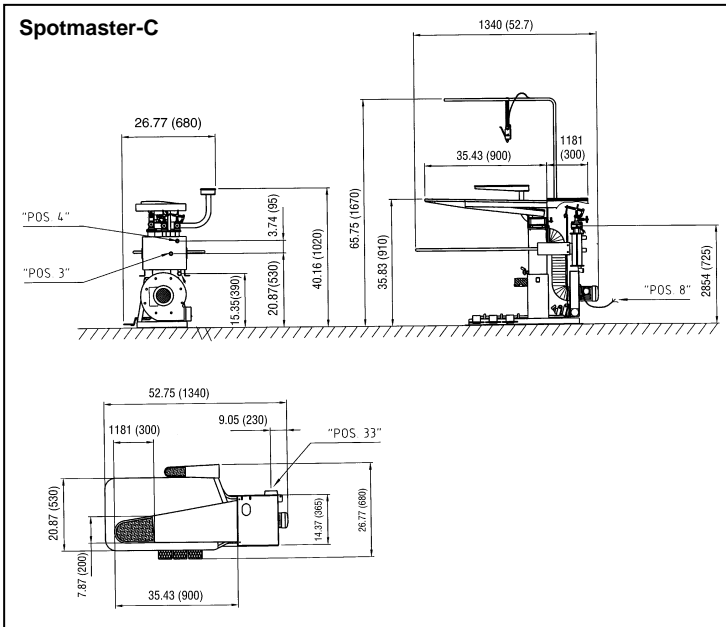
Hot 'n' Cold SLB-VC

| POS | CENTRAL SUPPLY |
|-------|--|
| POS 2 | 110-60-1- 6 AMPS 220-60-1- 3 AMPS 220-50-1- 3 AMPS |
| | 3/8" (9.5 mm) |
| | 1/2" (12.7 mm) |
| | 1/4" (6.4 mm) |
| | 85 PSI (6 BAR) |
| | 10#/HR (5KG/HR) |
| | 85 PSI (6 BAR) |
| | 1FT ³ (.03M ³) |
| | 4" (102 mm) |
| | 1/3 HP (.25 KW) |
| | 130# (60 KG) |
| | 147# (67 KG) |
| | 57WX 28DX56H (1448WX711DX1422H mm) |
| | 52FT ³ (1.5M ³) |

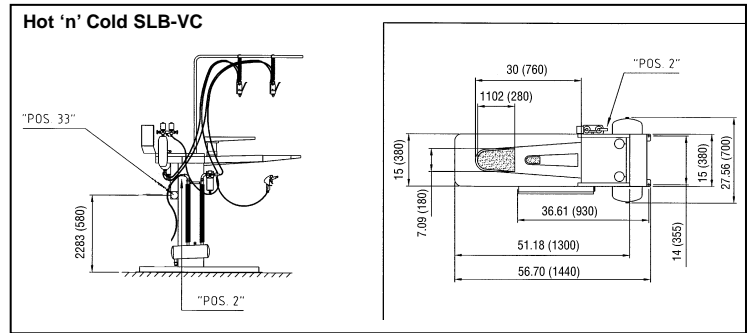


5610 McAdam Road, Mississauga, Ontario L4Z 1P1
905.890.1220 • 800.387.9503 • Fax: 905.890.7039
email: harco@harcoco.com • www.harcoco.com

Spotmaster-C

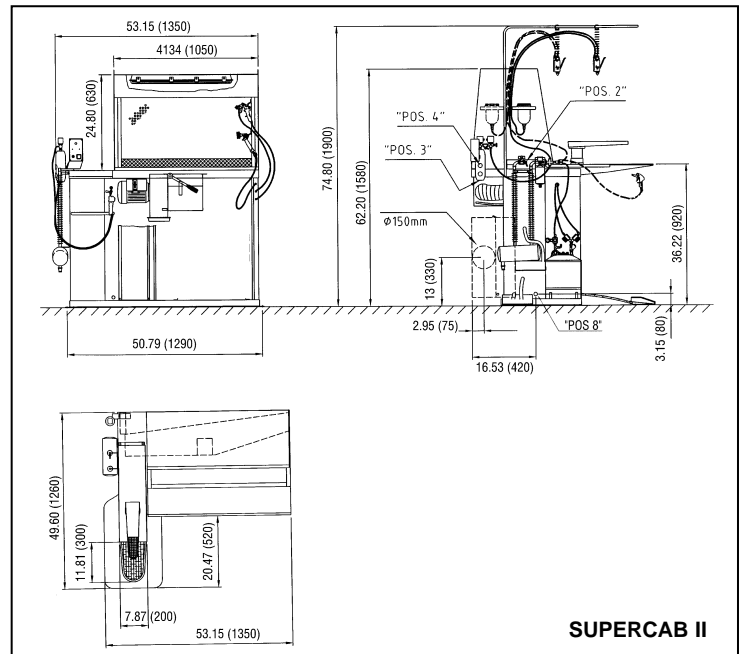


Hot 'n' Cold SLB-VC



Supercab II

| POS | TECHNICAL SPECIFICATIONS | DATOS TECNICOS | CENTRAL SUPPLY |
|-------|------------------------------------|--------------------------|--|
| POS33 | REQUIRED POWER FOR OPTIONAL VACUUM | ALIMENTACION ELECTRICA | 220-60-1- 4.2 AMPS 220-50-1- 4.2 AMPS |
| POS4 | STEAM INLET | ALIMENTACION DE VAPOR | 3/8" (9.5 MM) |
| POS32 | RETURN STEAM | RETORNO DE CONDENSADOS | 1/2" (12.7 MM) |
| | AIR INLET | ALIMENTACION DE AIRE | 1/4" (6.4 MM) |
| | STEAM WORKING PRESSURE | PRESION DE TRABAJO VAPOR | 85 PSI (6 BAR) |
| | STEAM CONSUMPTION | CONSUMO DE VAPOR | 11#/HR (5KG/HR) |
| | AIR WORKING PRESSURE | PRESION DE TRABAJO AIRE | 85 PSI (6 BAR) |
| | AIR CONSUMPTION | CONSUMO DE AIRE | 1FT3 (.03M3) |
| | VACUUM OUTLET | TURBO SALIDA DE ASPIRADO | 4" (102 MM) |
| | VACUUM MOTOR | MOTOR ASPIRADO | 0.8HP (.6 KW) |
| | NET WEIGHT | PESO NETO | 660# (300 KG) |
| | GROSS WEIGHT (CRATE) | PESO BRUTO (JAULA) | 748# (340 KG) |
| | OVERALL DIMENSION | DIMENSION DE EMBALAJE | 53WX 50DX75H (1270WX1346DX1905H MM) |
| | VOLUME | VOLUME | 115 FT3 (3.25M3) |



SUPERCAB II

Equipment is subject to manufacturer's standard warranty. Accuracy of illustration and description of equipment shown herein applies to product as manufactured at time of publication.

Copyright 2002. Hoffman/New Yorker, Inc. All rights reserved.
Printed in U.S.A. 1M 902

HOFFMAN/NEW YORKER, INC.

46 Clinton Place Hackensack, NJ 07601 USA
Phone: 201-488-1800 Fax: 201-488-4480
www.hoffman-newyorker.com